



US007639133B1

(12) **United States Patent**
Kelsch et al.

(10) **Patent No.:** **US 7,639,133 B1**
(45) **Date of Patent:** **Dec. 29, 2009**

(54) **SECURITY DEVICE FOR HINGED PRODUCTS**

(75) Inventors: **Christopher A. Kelsch**, Tarpon Springs, FL (US); **John N. Figh, Jr.**, Valrico, FL (US); **Thomas J. Beach**, Seminole, FL (US); **Lucas P. Swartwood**, Tampa, FL (US); **Michael D. Farland**, Portland, OR (US)

(73) Assignee: **Vanguard Products Group, Inc.**, Oldsmar, FL (US)

(*) Notice: Subject to any disclaimer, the term of this patent is extended or adjusted under 35 U.S.C. 154(b) by 273 days.

(21) Appl. No.: **11/745,733**

(22) Filed: **May 8, 2007**

Related U.S. Application Data

(60) Provisional application No. 60/824,301, filed on Sep. 1, 2006.

(51) **Int. Cl.**
G08B 13/08 (2006.01)

(52) **U.S. Cl.** **340/545.6; 340/568.1; 70/58**

(58) **Field of Classification Search** **340/545.6, 340/568.1, 568.2, 686.1; 70/58**
See application file for complete search history.

(56) **References Cited**

U.S. PATENT DOCUMENTS

- 5,055,827 A 10/1991 Philipp
- 5,787,738 A * 8/1998 Brandt et al. 70/58
- 5,836,183 A 11/1998 Derman
- 5,933,322 A 8/1999 Ruch et al.
- 6,150,940 A 11/2000 Chapman et al.
- 6,216,499 B1 4/2001 Ronberg et al.
- 6,227,017 B1 5/2001 Igelmund
- 6,294,995 B1 * 9/2001 Patterson 340/568.1

- 6,297,963 B1 10/2001 Fogle
- 6,308,928 B1 10/2001 Galant
- 6,337,633 B1 1/2002 Foseide
- 6,386,906 B1 5/2002 Burke
- 6,477,871 B1 11/2002 Shaw et al.
- 6,601,416 B1 8/2003 Sanders
- 6,624,753 B2 * 9/2003 Elston 340/568.1
- 6,761,579 B2 7/2004 Fort et al.
- 6,799,994 B2 10/2004 Burke

(Continued)

OTHER PUBLICATIONS

Computer Security Products, Inc., CSP-4040/CSP-4041, Laptop tie-down bracket, www.computersecurity.com/computer_cage/csp-4040.htm, 2 pages.

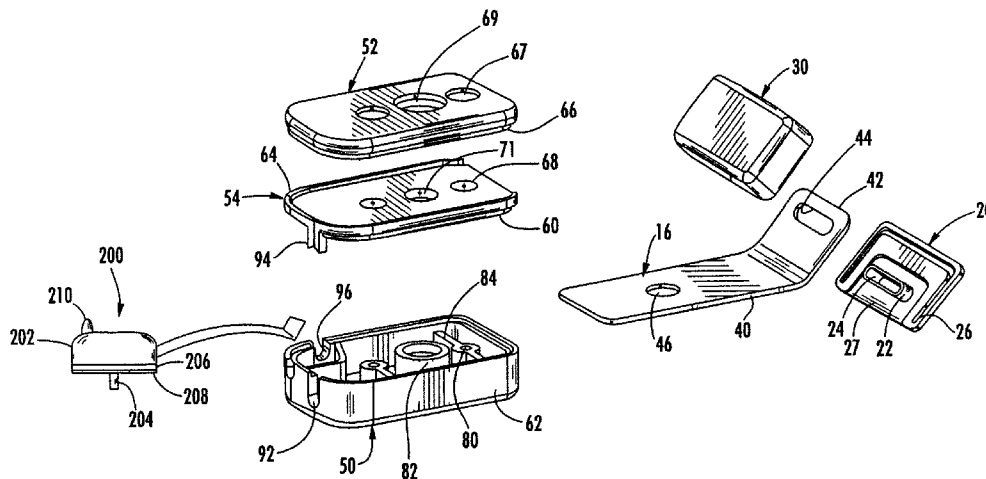
(Continued)

Primary Examiner—John A Tweel, Jr.
(74) *Attorney, Agent, or Firm*—Patzik, Frank & Samotny Ltd.

(57) **ABSTRACT**

A security device for preventing theft of a hinged electronic product comprising a band that is inserted through the open area about the hinge of the product and a pair of anchor assemblies that are attached to the ends of the band. A tether or cable attaches the security devices to an object to permit the hinged product to be moved over a limited distance. The security device also is connected to an alarm system so that removal or tampering with the band activates the alarm. Filaments and contacts may also be used to detect the presence of the band within the second anchor assembly. An indicator may also provide notice when the security device is armed and/or tampered with.

40 Claims, 11 Drawing Sheets



U.S. PATENT DOCUMENTS

6,896,543 B2 5/2005 Fort et al.
6,918,272 B1 7/2005 Sanders
6,972,677 B2 12/2005 Coulthard
6,977,576 B2 12/2005 Denison et al.
7,021,091 B2 4/2006 Leyden et al.
7,212,115 B1* 5/2007 Fawcett 340/568.1
7,256,692 B2* 8/2007 Vatsaas et al. 340/550
7,315,253 B1* 1/2008 Pijanowski et al. 340/686.1
2001/0049222 A1 12/2001 Fort et al.
2004/0035157 A1 2/2004 Petrick et al.
2004/0150523 A1* 8/2004 Kelsch et al. 340/568.1
2005/0012591 A1 1/2005 Tomljenovic et al.
2005/0024221 A1* 2/2005 Jamison-Lenz et al. .. 340/686.1
2005/0157460 A1 7/2005 Bhogal et al.

2008/0045069 A1* 2/2008 Haren 340/568.2
2008/0129503 A1* 6/2008 Bonato 340/568.2

OTHER PUBLICATIONS

Computer Security Products, Inc., Laptop Cable Kits, Universal Laptop twist lock, www.computersecurity.com/laptop/cables.htm, 3 pages.

Computer Security Products, Inc., Laptop Cables & Locks, QuickLock-Cl, Snap-It, etc., www.secure-it.com/products/notebook.htm, 2 pages.

Co-pending U.S. Appl. No. 11/686,412, filed on Mar. 15, 2007, Entitled Cable Assembly for Securing Hinged Products assigned to Examiner Jeffery A. Hofsass of Group Art Unit 2612 and having a common inventor and assignee with the present application.

* cited by examiner

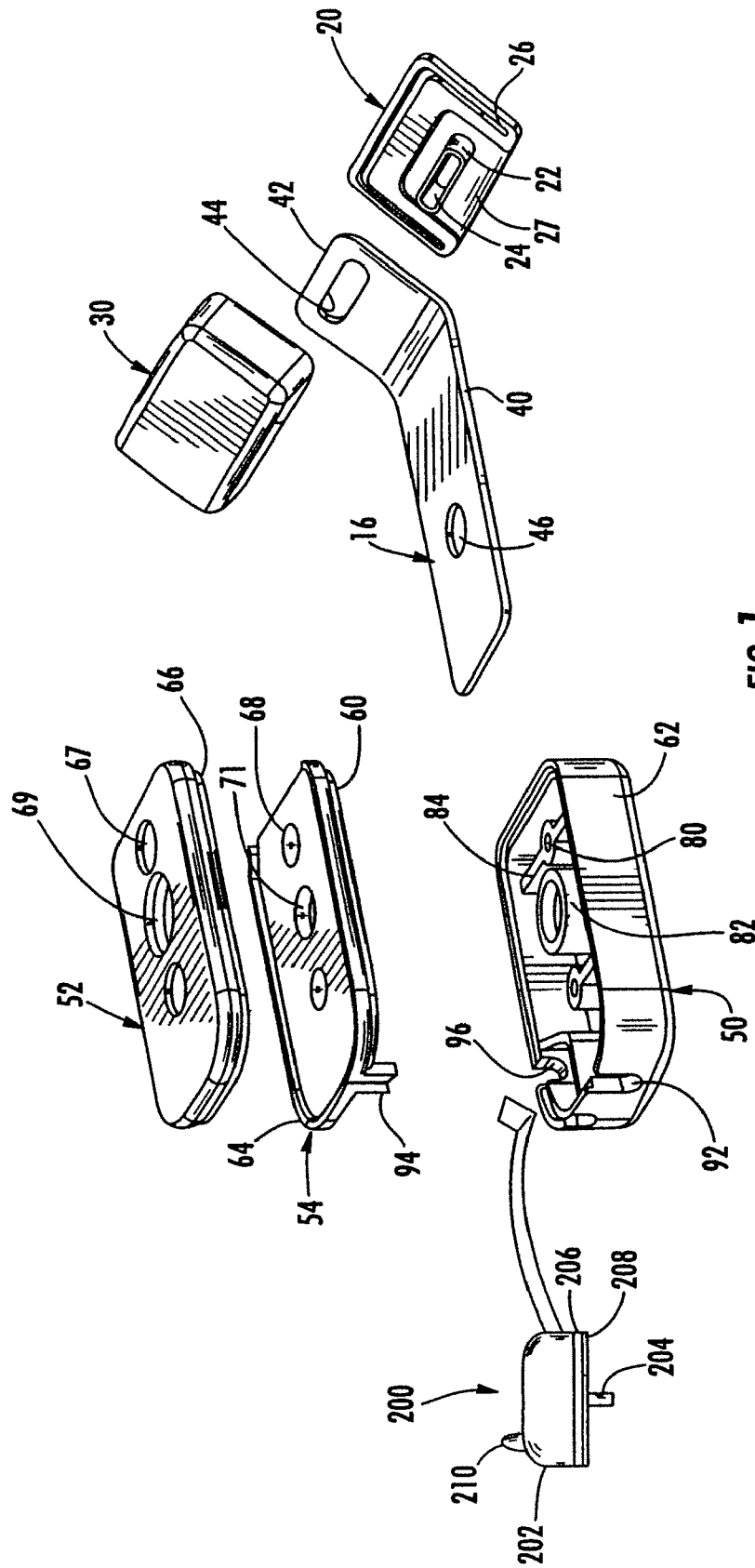


FIG. 1

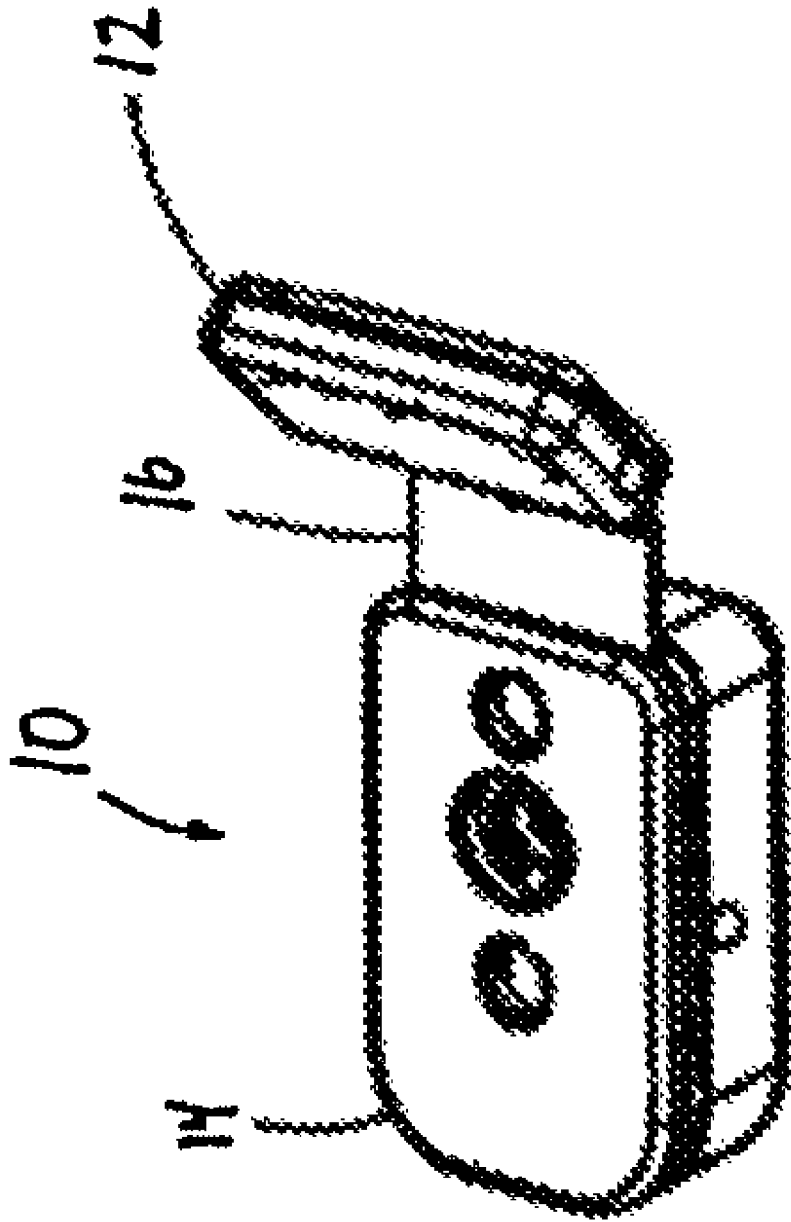


FIG. 2

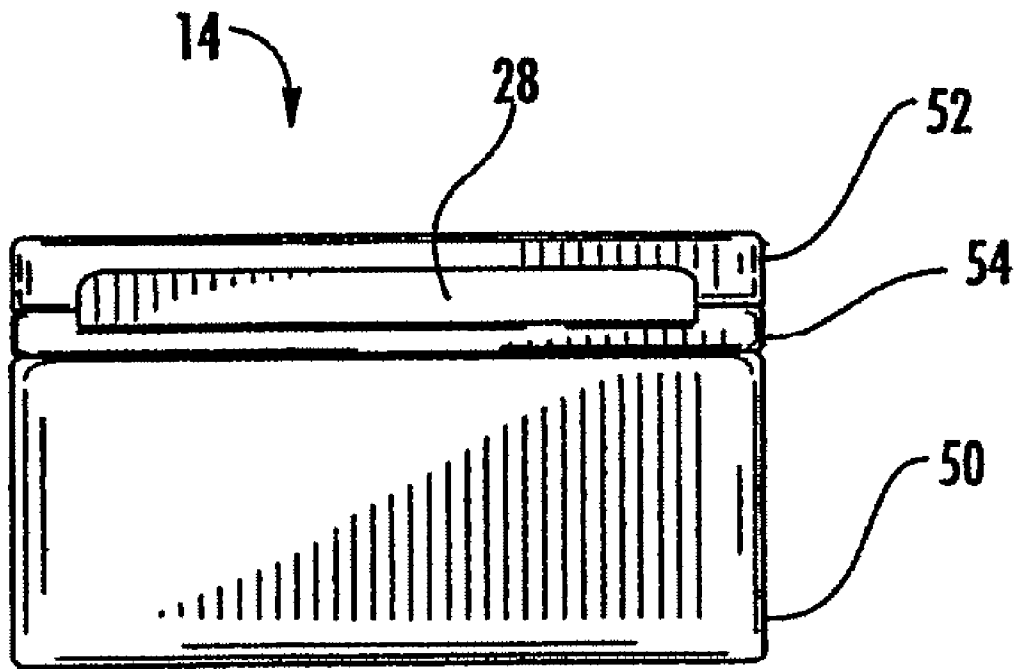


FIG. 3

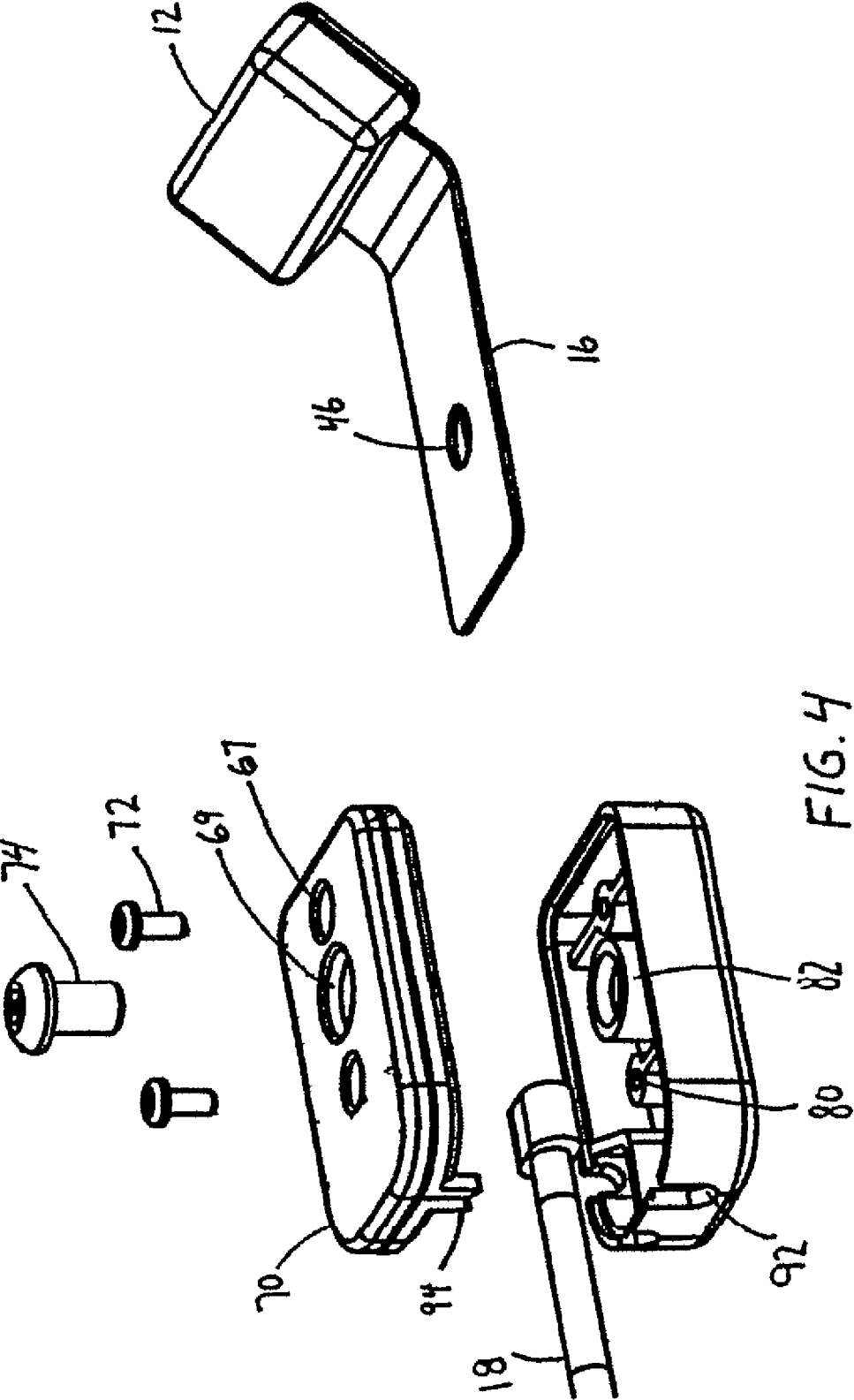


FIG. 4

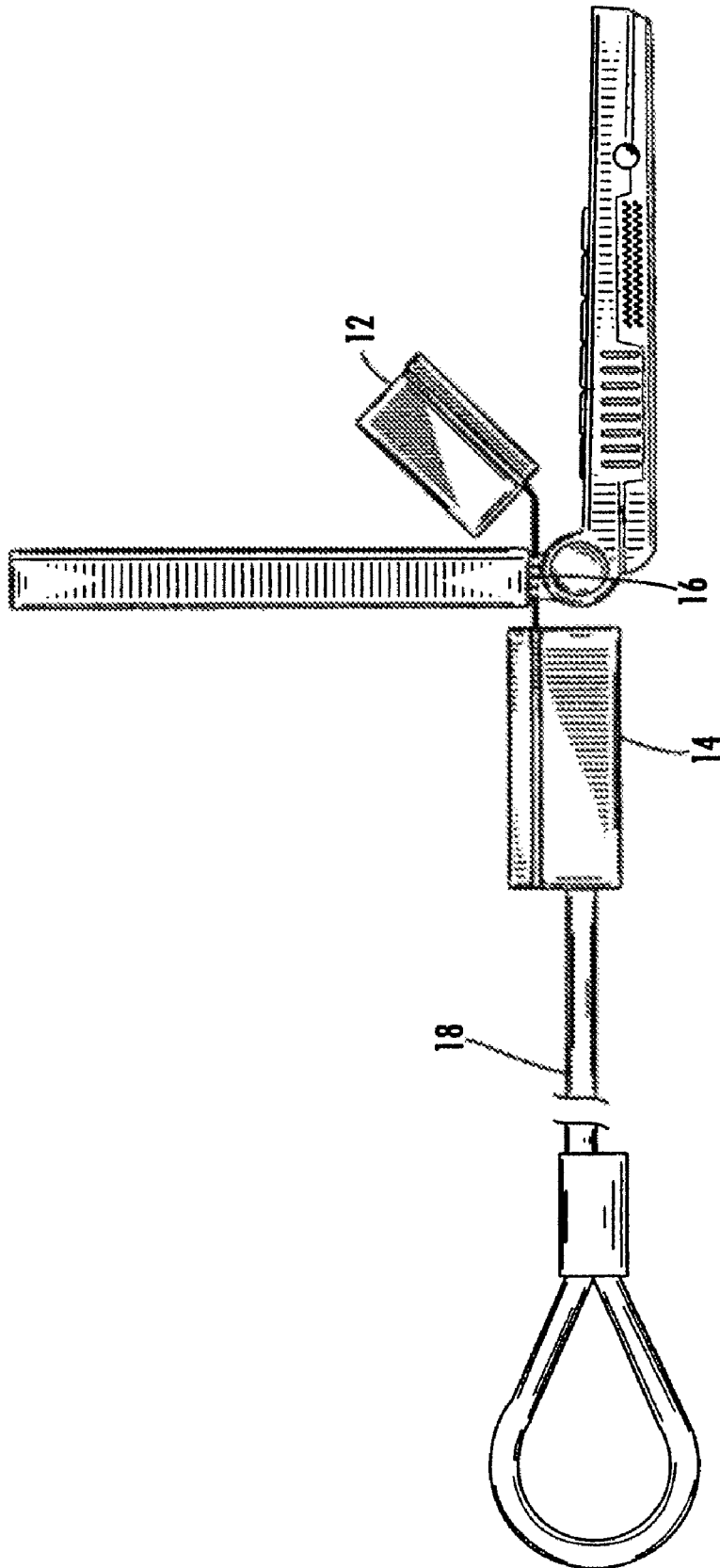


FIG. 5

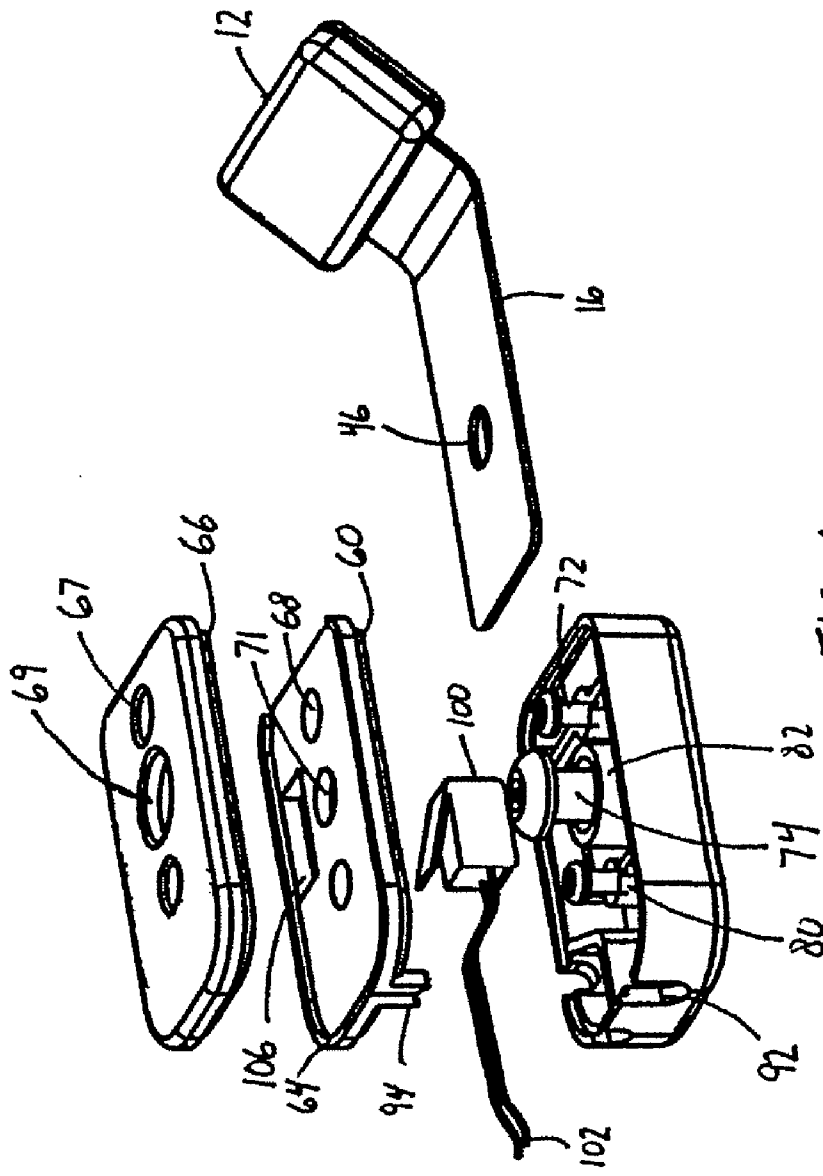
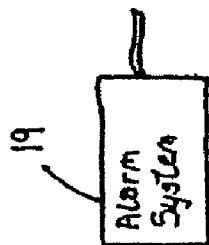
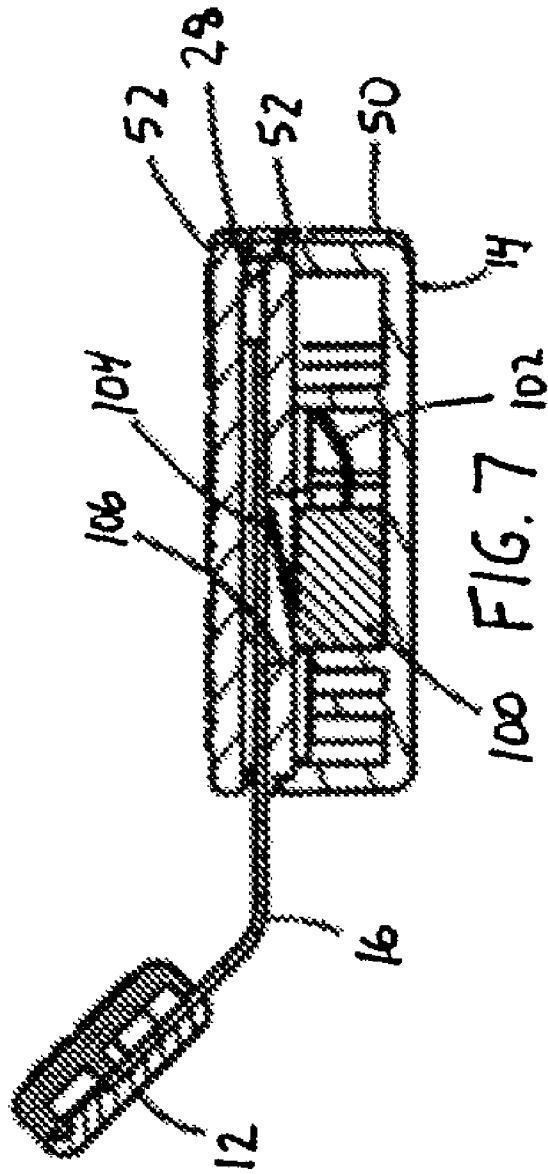
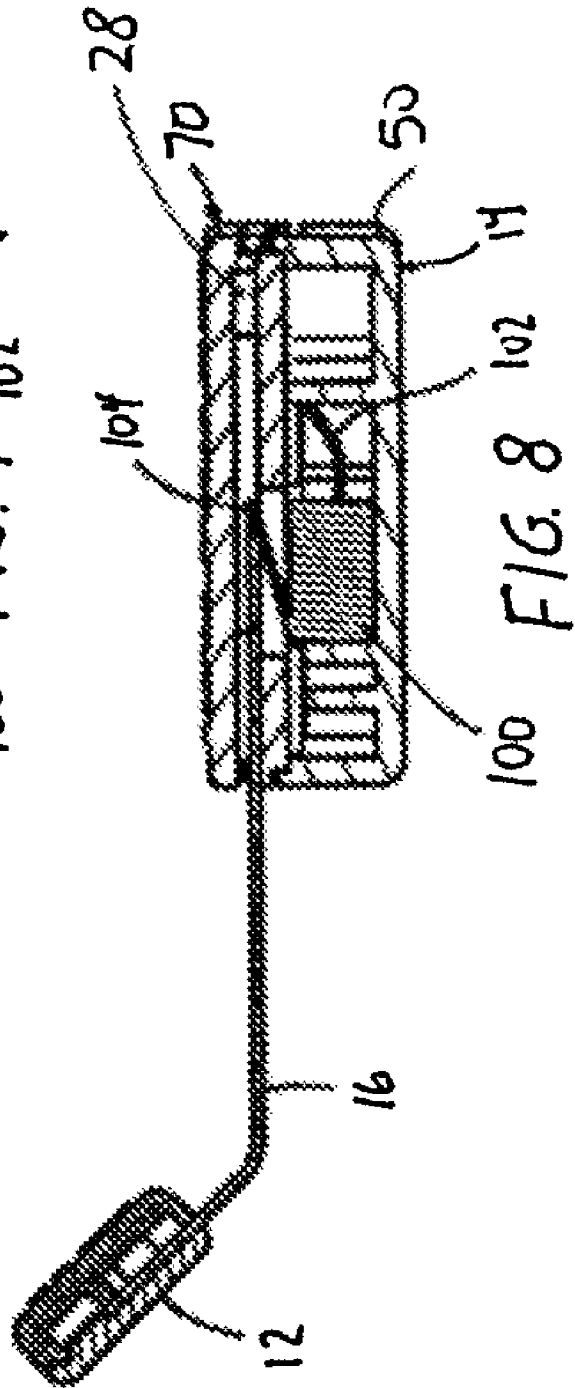


FIG. 6





100 FIG. 7 102



100 FIG. 8 102

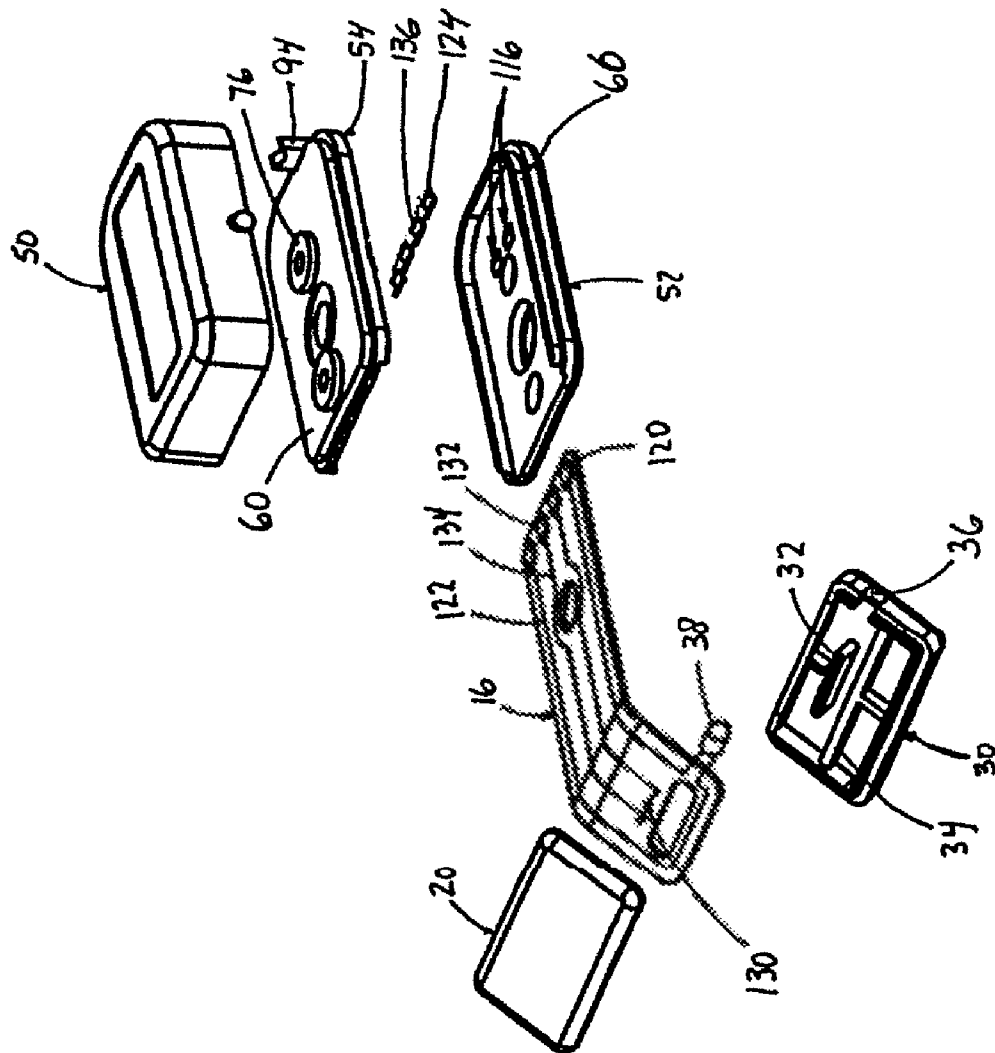


FIG. 10

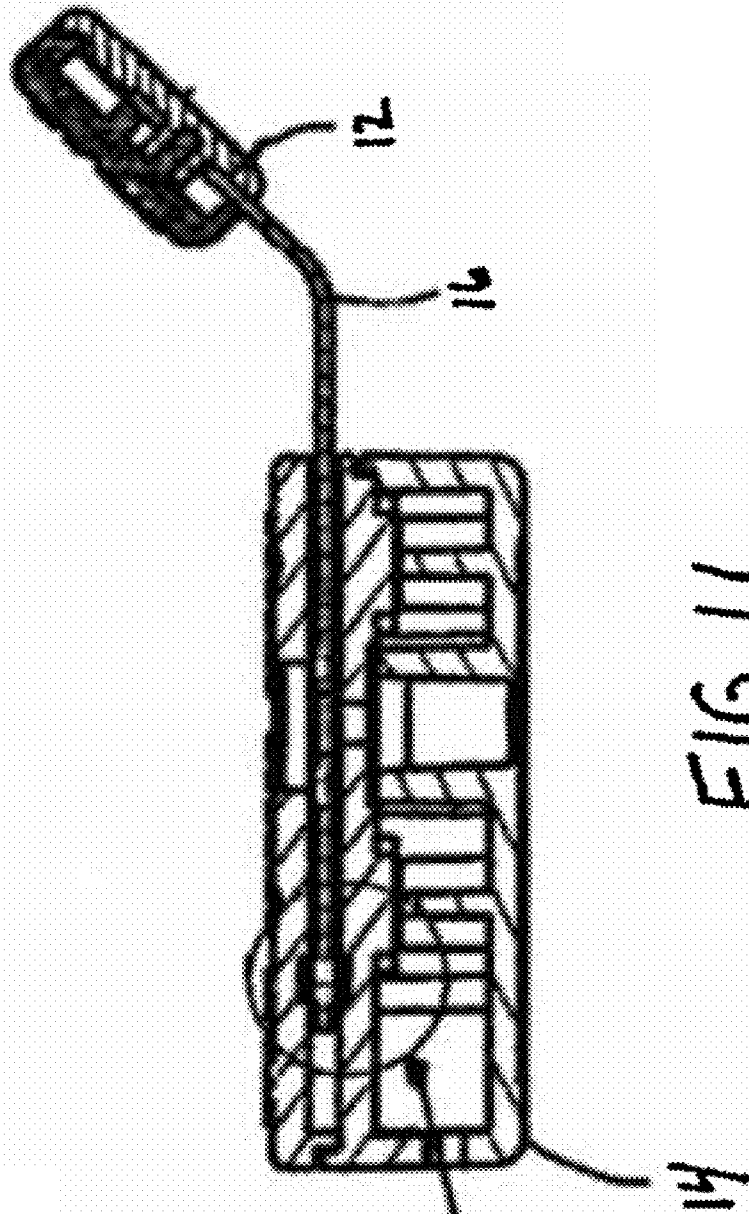


FIG. 11

Fig. 12

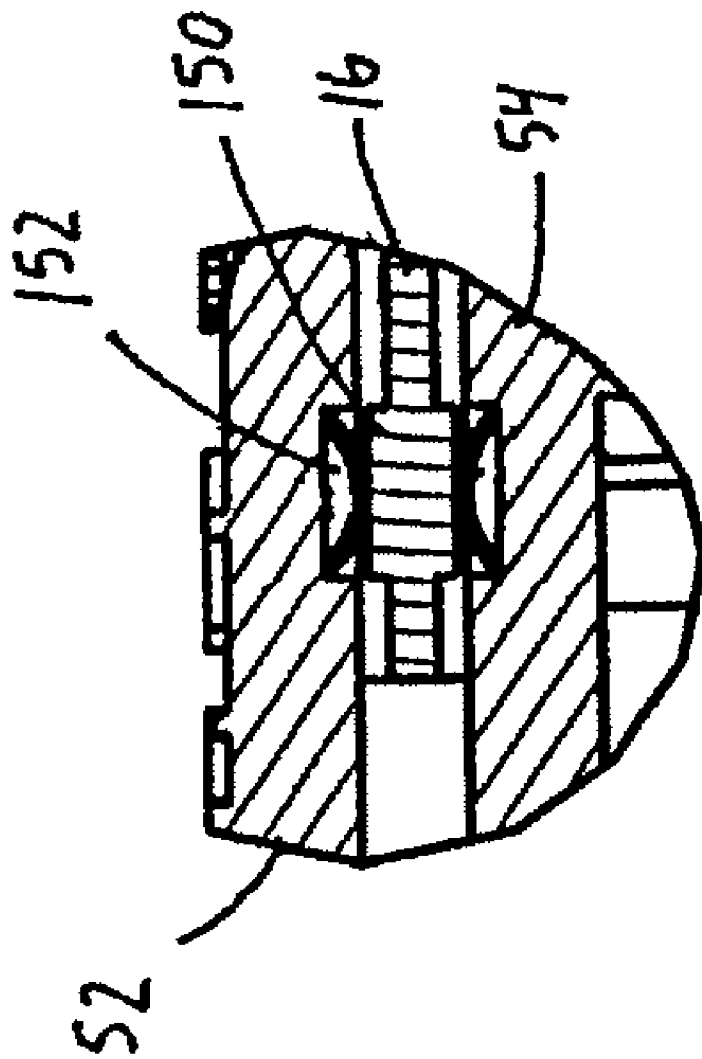


FIG. 12

1

SECURITY DEVICE FOR HINGED PRODUCTS

This application claims the benefit of U.S. provisional patent application Ser. No. 60/824,301, filed Sep. 1, 2006.

FIELD OF THE INVENTION

This invention relates in general to security and anti-theft devices, and more particularly, to a security device for a hinged electronic product or device to prevent theft of such item.

BACKGROUND OF THE INVENTION

In order to deter and prevent the theft of various hinged electronic items such as laptop computers and portable DVD players and the like from offices, houses and other establishments, various security devices and systems have been developed. One known security device comprises a bracket assembly that captures the laptop about its hinge and is fixedly attached to a table or other object to prevent movement of the hinged device. It is also known to use a cable that encircles the hinge in place of the brackets. While such devices may work, the brackets and cable are often cumbersome and are not aesthetically pleasing (e.g., for use in store displays). Furthermore, use of the bracket assemblies or known cables substantially prevents movement of the laptop. Accordingly, such devices are not favored by retailers and other business establishments who desire the product to be picked up and examined by potential purchasers, in as close to actual use conditions as possible.

It is also known to use a detector that is screwed into the video port, wherein an alarm goes off if anyone tries to unscrew the detector. However, it is desired to eliminate the need for having to screw a detector into the video port. Yet another known device utilized an electronic sensor that would go off if one tried to remove the cable from the hinged device. While these systems may work, they were not well received by the business community because they lacked a mechanical tether.

Additionally, it has been known to use a KENSINGTON® port that utilizes a security cable having a loop at one end such that, after the cable is wrapped about an object, the other end of the cable may pass through the loop and be attached to the KENSINGTON port on the computer. However, such systems permit the computers to be stolen by breaking off part of the computer about the KENSINGTON port, thereby leaving the laptop housing damaged, but not affecting the operability of the computer.

Therefore, there is a need to produce a security device capable of protecting against theft of a hinged electronic device, while permitting movement and use of the electronic device, and which addresses the problems with the prior systems and devices, without damaging the hinged device.

SUMMARY OF THE INVENTION

The present invention is an improvement over the prior security systems in the way that the security device protects a hinged product such as a laptop or portable DVD player. The security device of the present invention comprises a band or plate having a height that permits it to extend through the open area about the hinge of a hinged electronic product (i.e., the area between the screen and the body). Anchor assemblies fixed or attached to both ends of the plate are sized so that they (and thus the plate) may not be pulled through the hinge. In

2

particular, a first anchor assembly may include a bottom and top half that collectively include a male member and a corresponding female member that can extend through a slot on the end of the plate. Once the halves of the first anchor assembly are attached together (e.g., by ultrasonic welding), the first anchor assembly is thus fixed in place relative to the plate.

A hole extending through the plate is sized to receive the elongated body of a fastener for connecting the plate to the second anchor assembly. The second anchor assembly may include a base and a lid assembly that may be attached together by a pair of fasteners and that include a slot for receiving the plate. In one embodiment, the lid assembly includes a pair of holes that have an upper portion sized to permit the head of the fastener to be recessed within the bottom of the lid assembly. The lower portion is sized so that the fastener head may not pass therethrough. Accordingly, once the plate is inserted into the corresponding slot of the second anchor assembly, the plate will cover and prevent access to the fastener heads.

A tether extends from the second anchor assembly to securely attach the security device and hinged electronic product to an object, thereby allowing the hinged electronic product to be securely moved a limited distance. The tether may comprise one or more wires for electronically attaching the security device to an alarm system to, among other things, set off an alarm when the tether is cut.

In order to detect the presence of the plate, the second anchor assembly may include a lever switch so that insertion of the plate into the slot of the second anchor assembly depresses the lever to complete an electrical circuit and arm the device. Subsequent attempted removal of the plate acts to open the circuit and activate the alarm.

The security device may also include a sensor attachable to the hinged electronic product to detect attempted removal of the security device from the hinged product. In one embodiment, the sensor comprises a sensor housing having a button extending outwardly from its bottom and that is depressed when attached to the surface of the hinged product to complete an electrical circuit. The bottom of the sensor includes an adhesive sheet to adhere to the surface of the hinged product. A release liner may be placed over the adhesive sheet when not in use to protect the adhesive sheet. In operation, depression of the button when the sensor is placed onto the surface of the hinged electronic product acts to close the electrical circuit. An indicator (e.g., an LED) associated with the sensor may then indicate that the sensor is armed. Attempted removal of the security device and/or the sensor that causes the sensor to be removed from the surface of the hinged product will open the circuit and activate an alarm in the form of a visual (e.g., an LED) and/or audio response.

A circuit board may be located inside the anchor assembly to assist in monitoring the status of the security device. In one embodiment, the circuit board is an intelligent device that may be connected to and monitor resistance of the lasso assembly or cable to determine when it is tampered with or cut. A LED on or associated with the lasso may be operatively connected to the circuit board to flicker, blink, indicate or otherwise indicate tampering with the lasso assembly.

The second anchor assembly may also include at least one electrical circuit for detecting the attempted removal or tampering with the security device. In one embodiment, the plate may include a pair of electrical contacts that are connected to an alarm system through filaments and corresponding contacts. When the fastener is inserted through the hole in the plate to attach the plate to the second anchor assembly, the head of the fastener or a washer engages the pair of electrical contacts to form an electrical circuit. Removal or attempted

3

removal of the fastener re-opens or breaks the electrical path between the pair of contacts, which can be detected by a security or alarm system. The aforementioned electrical circuit or another electrical circuit may also be operatively attached to an indicator such as a light emissive device (e.g., an LED) to indicate when the security device is armed. The plate may also include filaments that detect when an attempt is made to cut the plate and trigger a visible and/or audible alarm.

In an alternate embodiment, the plate may include raised portions that engage brush-type contacts located in the second anchor assembly when the plate is inserted into the second anchor assembly to complete an electrical circuit for indicating that the system is armed and detecting the removal of the plate from the second anchor assembly.

It is therefore an object of the present invention to provide a new and improved security device for use in the prevention of theft.

Another object of the present invention is to provide a new and improved security device that permits movement of a hinged product.

It is yet another object of the present invention to produce a security device that is economical and easy to manufacture and use.

Other objects, features and advantages of the invention will be apparent from the following detailed disclosure, taken in conjunction with the accompanying sheets of drawings, wherein like reference numerals refer to like parts.

BRIEF DESCRIPTION OF THE DRAWINGS

FIG. 1 is an exploded perspective view of one embodiment of the security device of the present invention

FIG. 2 is a perspective view of the assembled security device of FIG. 1.

FIG. 3 is side elevation view of an anchor assembly of the security device of FIG. 2 showing a slot for receiving the plate.

FIG. 4 is a partially exploded perspective view of the security device of FIG. 1 showing a cable and a plurality of screws for attaching the lid to the base of the anchor assembly.

FIG. 5 is a side elevation view of the security device shown in FIG. 4.

FIG. 6 is an exploded perspective view of another embodiment of the security device of the present invention illustrating a switch for detecting the presence of the plate.

FIG. 7 is a cross-sectional view of the security device shown in FIG. 6 illustrating the plate inserted into the anchor assembly and the switch in a closed position.

FIG. 8 is a cross-sectional view of the security device shown in FIG. 6 illustrating the plate partially withdrawn from the anchor assembly and the switch in an open position.

FIG. 9 is an exploded top perspective view of another embodiment of the security device of the present invention showing a plurality of contacts and filaments.

FIG. 10 is an exploded bottom perspective view of the security device of FIG. 9 showing a plurality of contacts and filaments.

FIG. 11 is a cross sectional side view of another embodiment of the security device showing a pair of contacts for detecting the presence of the plate.

FIG. 12 is an enlarged partial view of the contacts and plate shown in FIG. 11 in an engaged position.

DETAILED DESCRIPTION OF THE INVENTION

While this invention is susceptible of embodiment in many different forms, there is shown in the drawings and will herein

4

be described in detail several specific embodiments, with the understanding that the present disclosure is to be considered merely an exemplification of the principles of the invention and the application is limited only to the appended claims.

Referring now to the drawings, and particularly to FIGS. 1 through 5, there is shown one embodiment of the present invention. The security device of the present invention, generally designated by the number 10, is shown in FIGS. 2 and 4 as having a first anchor assembly 12, a second anchor assembly 14, a band or plate 16, and a tether or cord 18 for mechanically and/or electronically securing the security device. While the embodiment disclosed herein refers to a laptop computer, it is appreciated that the security device may be used with any type of hinged electronic product including, but not limited to, portable DVD players and video game players, and not depart from the scope of the present invention.

The first anchor assembly 12 may be made out of a variety of materials including, but not limited to, plastic. A suitable material is a thermoplastic material such as Acrylonitrile-butadiene-styrene (ABS) to provide suitable environmental ruggedness at a relatively low cost. In order to facilitate its manufacturing and assembly, the first anchor assembly 12 may be made of two halves. Referring to FIGS. 1 and 10, the bottom half 20 of the first anchor assembly 12 includes a female member comprising a wall 22 extending upward from the inner portion of the bottom half and that defines a substantially oval cavity 24. A wall or rim 26 also may extend about three sides of the bottom half 20 to create an opening 27 to permit the plate 16 to extend through when the halves 20, 30 are fixed together.

The top half 30 includes a male member or wall 32 extending upward that is sized to fit within the cavity 24 of the first anchor assembly 20 so that the bottom and top halves 20, 30 may integrally form the first anchor assembly 12 and be held in place relative to the plate 16. The halves may also include one or more ribs 34 to enhance the rigidity and strength of the assembly. Referring to FIG. 10, one side of the top half 30 may include an opening 36 to permit an indicator such as a light emissive device 38 (e.g., an LED) to extend there-through. Once placed together, the top and bottom halves may be fixed together using an ultrasonic weld or other known means.

The plate or band 16, as shown in FIGS. 1 and 5, may be made from a piece of material having a main body member 40 having a height H that is less than the height of the open area defined by the screen and the body of the computer about the hinge. While the plate may be made from a variety of materials having sufficient strength, one embodiment may comprise a spring metal plate.

Referring again to FIGS. 1 and 5, the end 42 of the plate 16 is preferably angled upwardly so that, when the first anchor assembly 12 is attached thereto, and the security device 10 is operably attached to the laptop, the anchor assembly 12 and plate 16 do not interfere with the ability to use the keypad of the computer or otherwise interfere with the use of the computer or other electronic product. A slot 44 in the end 42 of the plate 16 is sized to accept the male and female members 22, 32 of the bottom and top halves 20, 30 therein so that when the halves 20, 30 are affixed to one another, they are also retained in place relative to the plate 16. It is appreciated that in order to limit movement of the first anchor assembly, the male and female members may be sized to snugly fit within the slot. The plate also includes a hole 46 for receiving a fastener 74 for attaching the plate 16 to the second anchor assembly 14.

As shown in FIG. 1, the second anchor assembly 14 includes a base 50, a lid 52 and an insert 54. The second

5

anchor assembly **14** may be made out of a variety of materials including, but not limited to, plastic. A suitable material is a thermoplastic material such as Acrylonitrile-butadiene-styrene (ABS) to provide suitable environmental ruggedness at a relatively low cost. In one embodiment, the base, lid and insert are designed so that they create a substantially flush exterior when attached together. Referring now to FIGS. **1** and **10**, the insert **54** may have a lower surface **60** that is sized to fit within the walls **62** of the base **50**. In a preferred embodiment, the lower surface is sized to snugly fit within the opening in the base to prevent or limit the amount of movement or play of the insert relative to the base.

Referring again to FIG. **1**, the insert includes a wall **64** extending about the rim of the insert except for an open area extending along its front side. Similarly, the lid **52** includes a wall **66** extending a distance offset from its rim substantially equal to the width of the wall **64** to permit the walls **64**, **66** to overlap. Together, the walls **64**, **66** define the opening **28** for receiving and housing the plate **16**.

Once placed together, the insert **54** and lid **52** may be fixed together using an ultrasonic weld or other known means to securely form a lid assembly **70**, as shown in FIG. **4**. While the device is shown and disclosed as consisting of a separate insert and lid, it is appreciated that the pieces may be integrally formed and not depart from the scope of the invention.

The base **50**, lid assembly **70** and plate **16** may be connected together through a plurality of fasteners. One embodiment, as shown in FIG. **4**, utilizes a pair of bolts or screws **72** for connecting the base **50** and lid assembly **70**, and a bolt or screw **74** for securing the plate **16** to the second anchor assembly **14**. In the embodiment shown, the lid **52** and insert **54** each contain a pair of holes **67**, **68** for the screws **72** and a central hole **69**, **71** for the screw **74**, while the base **50** includes corresponding threaded cylinders **80**, **82** for receiving the respective screws **72**, **74**.

Ribs **84**, as shown in FIG. **1**, may be added to the base to provide rigidity and additional support for the lid assembly **70**. The base **50** also includes one or more holes or slots **92**, **96** for permitting one or more tethers or cables to extend there-through to mechanically or electronically attach the security device, as shown in FIGS. **1**, **4-6**. For example, as shown in FIG. **4**, a lasso cable assembly **18** may be inserted through hole **92**. The cable assembly may be used to tether the security device to an object (e.g., a table), thereby allowing a portable hinged electronic device to be moved over a limited allowable range, yet still be prevented from being stolen. The cable assembly also may include one or more wires or filaments **102** operatively attached to an alarm system **19**, as shown in FIG. **6**, to alert the user when the cable assembly is cut or tampered with or to send signals from electrical circuits or sensors as discussed herein. It is appreciated that the security device may include one or more additional cables or wires to connect the electrical circuits and sensors to the alarm system. In order to maintain or secure the cable assembly **18** within the opening **92**, the insert may include a post **94** that extends into the opening **92** to straddle or engage the cable assembly **18**, as seen in FIG. **4**.

In addition or alternatively, the security device may include a lever switch **100** operatively attached to an alarm system **19** through one or more wires **102**, as shown in FIG. **6**. As shown in FIGS. **7** and **8**, the lever switch **100** is placed within the base **50** so that switch or lever arm **104** extends through an opening **106** in the insert **54** and into the opening created by the insert **54** and lid **52**. When not in use (i.e., when the plate **16** is not inserted into the opening **28** in the lid assembly **70**), the lever switch **104** is in an open position. Insertion of the plate **16** into the opening **28** in the lid assembly **70** pushes down on the

6

lever switch **104** to close the switch, wherein the act of removing the plate **16** from the opening opens the switch **100** and activates the alarm associated with the alarm system **19**.

The security device may also include a sensor **200** that may be attached to the hinged electronic product to detect the attempted removal of the security device from the hinged product, as shown in FIG. **1**. In one embodiment, the sensor **200** comprises a sensor housing **202** having a spring-loaded button **204** extending outwardly from the bottom of the sensor **200** that is depressed when attached to the surface of the hinged product. The bottom of the sensor **200** includes an adhesive sheet **206** to adhere to the surface of the hinged product. A release liner **208** may be placed over the adhesive sheet **206** when not in use to protect the adhesive sheet **206**. In operation, depression of the button **204** engages and pushes a conductor to complete an electrical circuit. An indicator **210** (e.g., an LED) associated with the sensor may then indicate that the sensor is armed. Attempted removal of the security device and/or the sensor will cause the sensor to lose contact with the surface of the hinged product, thereby opening the circuit and activating an alarm. The alarm may be in the form of a visual (e.g., an LED) and/or an audio response.

The security device may include a circuit board located within the anchor assembly. In a preferred embodiment, the circuit board is an intelligent device to monitor the status of the security device.

In order to increase the security of the second anchor assembly, the holes **67** in the lid **52** and may be sized so that their diameter is larger than the diameter of the head of the screws **72** to permit the heads of screws **72** to pass there-through. Referring to the embodiments shown in FIGS. **1-10**, the holes **68** of the insert **54** include an upper region having a diameter larger than the diameter of the screw head and a lower region having a diameter smaller than the diameter of the screw head to permit the screws to be recessed yet retained within the insert. Accordingly, when the plate is inserted into and retained within the second anchor assembly, the screws are covered by the plate, thereby preventing the lid assembly from being removed from the base. In order to facilitate manufacturing of the insert, a raised surface or other embossed area **76** may be attached or located about the bottom of the holes to provide a contact surface for the screws to attach the lid assembly to the base. While the screws or fasteners may be made out of a variety of materials or types, in one embodiment, the screws **72** may be types like plastite screws. It is further appreciated that the screw **74** may be a pin-in-hex or other security screw to inhibit its removal.

Referring now to FIG. **9**, an example embodiment for detecting engagement of the screw **74** with the plate **16** is shown. The plate **16** includes a first and second electrical contact **110**. The contacts **110** are connected to an alarm system **19**, shown in FIG. **6**, through a pair of conductive filaments or wires **112** and corresponding contacts **114**, **116** on or associated with the plate **16** and lid **52**. When the screw **74** is inserted into the hole **46** in the plate **16** and tightened thereon, the screw **74** forms an electrical switch with the contacts **110**. It is appreciated that a conductive washer may also be used with the screw in order to complete the circuit for the switch. The contacts may be made from a variety of conductive materials and not depart from the scope of the present invention. Suitable examples include, but are not limited to, conventional tin-plated circuit traces. Alternatively, conductive ink or gold plating could be used to maximize corrosion resistance and the life cycle of the contacts **110**. Removal or the attempted removal of the screw **74** from engagement with the plate **16** re-opens or breaks the electrical path between the first and second contact **110**, which can be

detected by a security system or the like to indicate that the hinged product is being stolen, tampered with, etc. Although described as a remote device, it is appreciated that the security monitor or alarm system may be local.

Referring to FIG. 10, in one embodiment, the plate 16 includes a plurality of electrical circuits to detect when the device is armed and/or tampered with. In particular, an electrical circuit formed by a pair of contacts 120 that are each connected to a conductive filament or wire 122 that attach to a light emissive device such as an LED 38 may be used to indicate when the device is armed. In particular, the contacts 120 coact with contacts 124 on or associated with the insert 54 to form an electrical circuit and illuminate the LED 38 or LED 108 when the plate 16 is inserted in the second anchor assembly 14. It is also appreciated that the electrical circuit is attached to an alarm system 19 so that any attempts to cut the plate 16 will break the wires 122 so as to break the electrical circuit and activate the alarm.

The plate 16 may also include a filament 130 that is connected to a pair of contacts 132 through a pair of filaments or wires 134. In operation, when the plate is inserted into the second anchor assembly 14, the contacts 132 coact with contacts 136 to form an electrical circuit. When used with a plastic first anchor assembly 12, when the anchor assembly 12 is welded together, the halves of the bottom half of the first anchor assembly 12 hooks onto the filament 130. If the first anchor assembly is broken, the filament 130 will break so as to break the circuit, thereby setting off or activating an alarm.

Referring now to FIGS. 11 and 12, another embodiment of the security device is shown using brush-type contacts. In one embodiment, brush-type contacts 152 are press fit into respective slots on the insert 54 and lid 52. When inserted into the lid assembly 70, raised portions 150 of the plate 16 engage the brush contacts 152 so as to complete an electrical circuit. Removal or attempted removal of the plate 16 from the lid assembly disengages the raised portions 150 from the brush-type contacts 152 so as to open the circuit and activate the alarm to indicate the security device is being opened or tampered with.

While the plate is shown as having a contiguous end, it is appreciated that the plate may include a slot defining a pair of tines to permit the plate to accept a post of a hinged product (e.g., a tablet computer). Each of the tines may include a hole for accepting a screw or other fastener to attach the plate to the second anchor assembly. While a plate is shown and disclosed, it is appreciated that other connectors may be used to extend through the hinge and connect to the anchor assemblies. Such connectors may include, but not limited to, a cable may be used with the present invention to extend through the hinge and connect to the anchor assemblies.

It will be understood that modifications and variations may be effected without departing from the scope of the novel concepts of the present invention, but it is understood that this application is limited only by the scope of the appended claims.

The invention claimed is:

1. A security device for protecting an electronic hinged product on or associated with an object, wherein the hinged product has a hinge opening having a hinge height, the security device comprising:

- a first anchor having a height larger than the hinge height;
- a second anchor having a height larger than the hinge height;
- a connecting member sized to extend through the hinge opening and connect to or about the first anchor assembly

bly on a first side of the hinge opening and to connect to or about the second anchor assembly on a second side of the hinge opening;

a fastener for attaching the connecting member to the second anchor; and

a tether connecting the security device to the object.

2. The security device of claim 1 wherein the connecting member is a plate.

3. The security device of claim 1 wherein the connecting member is a cable.

4. A security device for protecting an electronic hinged product on or associated with an object, wherein the hinged product has a hinge opening having a hinge height, the security device comprising:

a plate having a height smaller than the hinge height, a first end and a second end;

a first anchor attached to the first end of the plate, the first anchor having a height larger than the hinge height to prevent the first anchor from passing through the hinge;

a second anchor removably attached to a second end of the plate and having a height larger than the hinge height to prevent the second anchor from passing through the hinge;

a fastener for attaching the second end of the plate to the second anchor assembly; and

a tether connecting the security device to the object.

5. The security device of claim 4 which further comprises an alarm unit.

6. The security device of claim 5 which further comprises a coiled alarm operatively connected to the alarm unit.

7. The security device of claim 5 which further comprises a switch operatively attached to the alarm unit for detecting movement of the plate relative to the second anchor.

8. The security device of claim 7 wherein the switch is in a closed position when the plate is fully inserted into the second anchor.

9. The security device of claim 4 wherein the first and second anchors are made from plastic.

10. The security device of claim 4 wherein the first end of the plate is angled upward.

11. The security device of claim 4 wherein the plate comprises a hole and the second anchor comprises a threaded slot, and wherein the fastener is a threaded fastener that extends through the hole in the plate and engages the threaded slot.

12. The security device of claim 11 wherein the threaded fastener is a pin-in-hex or other security screw.

13. A security device for protecting an electronic hinged product on or associated with an object, wherein the hinged product has a hinge opening having a hinge height, the security device comprising:

a plate having a height smaller than the hinge height a first end and a second end, wherein the first end of the plate comprises a slot;

a first anchor attached to the first end of the plate, the first anchor having a height larger than the hinge height to prevent the first anchor from passing through the hinge, and wherein the first anchor comprises a bottom half and a top half that comprise a connector to engage the slot when assembled together;

a second anchor removably attached to a second end of the plate and having a height larger than the hinge height to prevent the second anchor from passing through the hinge; and

a tether connecting the security device to the object.

14. The security device of claim 4 wherein the fastener has a head and which further comprises first and second contacts disposed within the second anchor so that when the fastener is

coupled to the plate, the head of the fastener completes an electrical circuit between the first and second electrical contacts.

15. The security device of claim 14 which further comprises a conductive washer to complete the electrical circuit between the first and second electrical contacts.

16. A security device for protecting an electronic hinged product on or associated with an object, wherein the hinged product has a hinge opening having a hinge height, the security device comprising:

a plate having a height smaller than the hinge height, a first end and a second end;

a first anchor attached to the first end of the plate, the first anchor having a height larger than the hinge height to prevent the first anchor from passing through the hinge; a second anchor removably attached to a second end of the plate and having a height larger than the hinge height to prevent the second anchor from passing through the hinge, wherein the second anchor comprises a base and a lid assembly;

at least one lid fastener having a head portion for connecting the base to the lid assembly; and

a tether connecting the security device to the object.

17. The security device of claim 16 wherein the lid assembly comprises a slot for receiving the plate.

18. The security device of claim 17 where the lid assembly comprises a hole for receiving the at least one lid fastener in a recessed fashion, wherein the plate is inserted over the head portion of the lid fastener to prevent access to the lid fastener when the security device is assembled.

19. The security device of claim 4 which further comprises at least one electrical circuit disposed on the plate to indicate when the security device is tampered with.

20. The security device of claim 19 which further comprises an indicator that indicates when the security device is armed.

21. The security device of claim 20 wherein the indicator is a light emissive device.

22. A security device for protecting an electronic hinged product on or associated with an object, wherein the hinged product has a hinge opening having a hinge height, the security device comprising:

a plate having a height smaller than the hinge height a first end and a second end;

a first anchor attached to the first end of the plate, the first anchor having a height larger than the hinge height to prevent the first anchor from passing through the hinge; a second anchor removably attached to a second end of the plate and having a height larger than the hinge height to prevent the second anchor from passing through the hinge;

a tether connecting the security device to the object; and at least one electrical circuit disposed on the plate to indicate when the security device is tampered with, wherein the electrical circuit comprises a filament attached to the first anchor, wherein breakage of the first anchor breaks the filament to activate an alarm.

23. A security device for protecting an electronic hinged product on or associated with an object, wherein the hinged product has a hinge opening having a hinge height, the security device comprising:

a plate having a height smaller than the hinge height, a first end and a second end;

a first anchor attached to the first end of the plate, the first anchor having a height larger than the hinge height to prevent the first anchor from passing through the hinge;

a second anchor removably attached to a second end of the plate and having a height larger than the hinge height to prevent the second anchor from passing through the hinge;

a tether connecting the security device to the object; and at least one electrical circuit disposed on the plate to indicate when the security device is tampered with, wherein the electrical circuit comprises brush-type contacts in the second anchor and wherein the plate comprises raised portions for engaging the brush-type contacts and completing the electrical circuit when the plate is inserted into the second anchor.

24. The security device of claim 4 wherein the plate comprises a central cut away slot for receiving a central post of the hinged product.

25. The security device of claim 4 which further comprises a sensor operatively attached to the security device and the hinged product, wherein the sensor is in a closed state when attached to the hinged product and an open state when detached from the product.

26. A security device for extending through a hinge opening in an electronic product having a hinge height, the security device comprising:

a plate having a first end and a second end;

a first anchor assembly operably attached to the first end of the plate, the first anchor assembly having a height larger than the hinge height to prevent the first anchor from passing through the hinge, and wherein the first anchor assembly comprises:

a first half; and

a second half that is attached to the first half;

a second anchor assembly having a height larger than the hinge height to prevent the second anchor assembly from passing through the hinge, and wherein the second anchor assembly comprises:

a base;

a lid assembly attached to the base; and

an opening in the base or lid assembly for receiving the plate;

a fastener for attaching the second end of the plate to the second anchor assembly;

a tether connecting the security device to the object; an alarm unit; and

a sensor for detecting tampering with the security device.

27. The security device of claim 26 wherein the sensor comprises a switch located in the second anchor assembly and operatively attached to the alarm unit for detecting movement of the plate relative to the second anchor assembly.

28. The security device of claim 27 wherein the switch is in a closed or armed position when the plate is fully inserted into the second anchor assembly.

29. The security device of claim 26 wherein the first end of the plate is angled upward.

30. The security device of claim 26 wherein the first end of the plate comprises a slot and the top and bottom halves of the first anchor assembly comprise a male and female member that engage the slot when the halves are assembled together.

31. The security device of claim 26 wherein the fastener has a head portion and which further comprises first and second contacts disposed within the second anchor assembly so that when the fastener is coupled to the plate, the head of the fastener completes an electrical circuit between the first and second electrical contacts.

32. The security device of claim 31 which further comprises a conductive washer to complete the electrical circuit between the first and second electrical contacts.

33. The security device of claim 26 where the lid assembly comprises a hole for receiving at least one lid fastener having

11

a head portion in a recessed fashion, wherein the plate is inserted over the head portion of the lid fastener to prevent access to the lid fastener when the security device is assembled.

34. The security device of claim 26 wherein the sensor comprises at least one electrical circuit disposed on the plate to indicate when the security device is tampered with.

35. The security device of claim 34 which further comprises an indicator that indicates when the security device is armed.

36. The security device of claim 35 wherein the indicator is a light emissive device.

37. The security device of claim 34 wherein the electrical circuit comprises a filament attached to the first anchor assembly, wherein breakage of the first anchor assembly breaks the filament to activate an alarm.

38. The security device of claim 34 wherein the electrical circuit comprises brush-type contacts in the second anchor assembly and wherein the plate comprises raised portions for engaging the brush-type contacts and completing the electrical circuit when the plate is inserted into the second anchor assembly.

39. The security device of claim 4 wherein the sensor for detecting tampering with the security device comprises a sensor operatively attached to the security device and the hinged product, wherein the sensor is in a closed state when

12

attached to the hinged product and an open state when detached from the electronic product.

40. A security device for extending through a hinge opening in an electronic product having a hinge height, the security device comprising:

- a plate having a first end and a second end;
- a first anchor assembly attached to the first end of the plate, the first anchor assembly having a height larger than the hinge height to prevent the first anchor from passing through the hinge;
- a second anchor assembly having a height larger than the hinge height to prevent the second anchor assembly from passing through the hinge, and wherein the second anchor assembly comprises an opening for receiving the plate;
- a fastener for attaching the second end of the plate to the second anchor assembly;
- a tether connecting the security device to the object; an alarm unit;
- a first sensor operatively connected to the alarm unit for detecting the presence of the plate within the second anchor assembly; and
- a second sensor operatively connected to the alarm unit for detecting tampering with the security device.

* * * * *