



US005821857A

United States Patent [19] Rand

[11] Patent Number: **5,821,857**
[45] Date of Patent: **Oct. 13, 1998**

- [54] ANTI-THEFT SECURITY SYSTEM FOR PRODUCT DISPLAYS
- [75] Inventor: **Richard H. Rand**, East Northport, N.Y.
- [73] Assignee: **Protex International Corp.**, Bohemia, N.Y.
- [21] Appl. No.: **802,167**
- [22] Filed: **Feb. 18, 1997**
- [51] Int. Cl.⁶ **G08B 13/14**
- [52] U.S. Cl. **340/568; 340/691; 439/917**
- [58] Field of Search 340/568, 691, 340/815.03, 502, 693; 439/917; 200/512, 520

5,172,098	12/1992	Leyden .	
5,345,220	9/1994	Wachsman	340/568
5,561,417	10/1996	Rothbaum et al.	340/568
5,604,484	2/1997	Rogers	340/568
5,652,569	7/1997	Gerstenberger et al.	340/573

Primary Examiner—Jeffery A. Hofsass
 Assistant Examiner—Anh La
 Attorney, Agent, or Firm—Collard & Roe, P.C.

[57] ABSTRACT

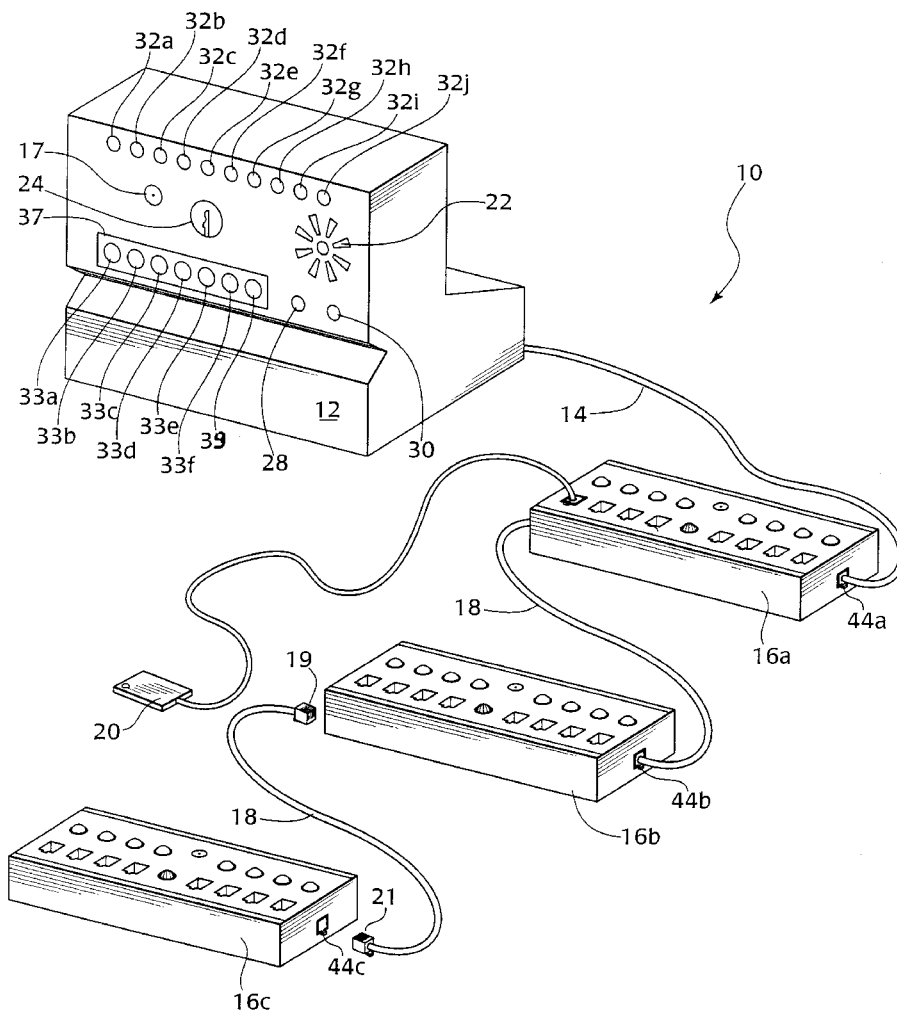
An anti-theft product display system utilizes a command module and a plurality of sensor satellites arranged in a daisy chain configuration. The command module and sensor satellites operate with microprocessors and can be programmed to perform several operating functions. Each sensor satellite can receive up to eight sensors without requiring shunts or terminators for the unused sensor jacks. A data retention system is incorporated into each sensor satellite to prevent the loss of data in the event of power failure to the command module.

[56] References Cited

U.S. PATENT DOCUMENTS

4,746,909	5/1988	Israel et al.	340/568
5,003,292	3/1991	Harding et al.	340/568
5,089,807	2/1992	Shim	340/568

15 Claims, 6 Drawing Sheets



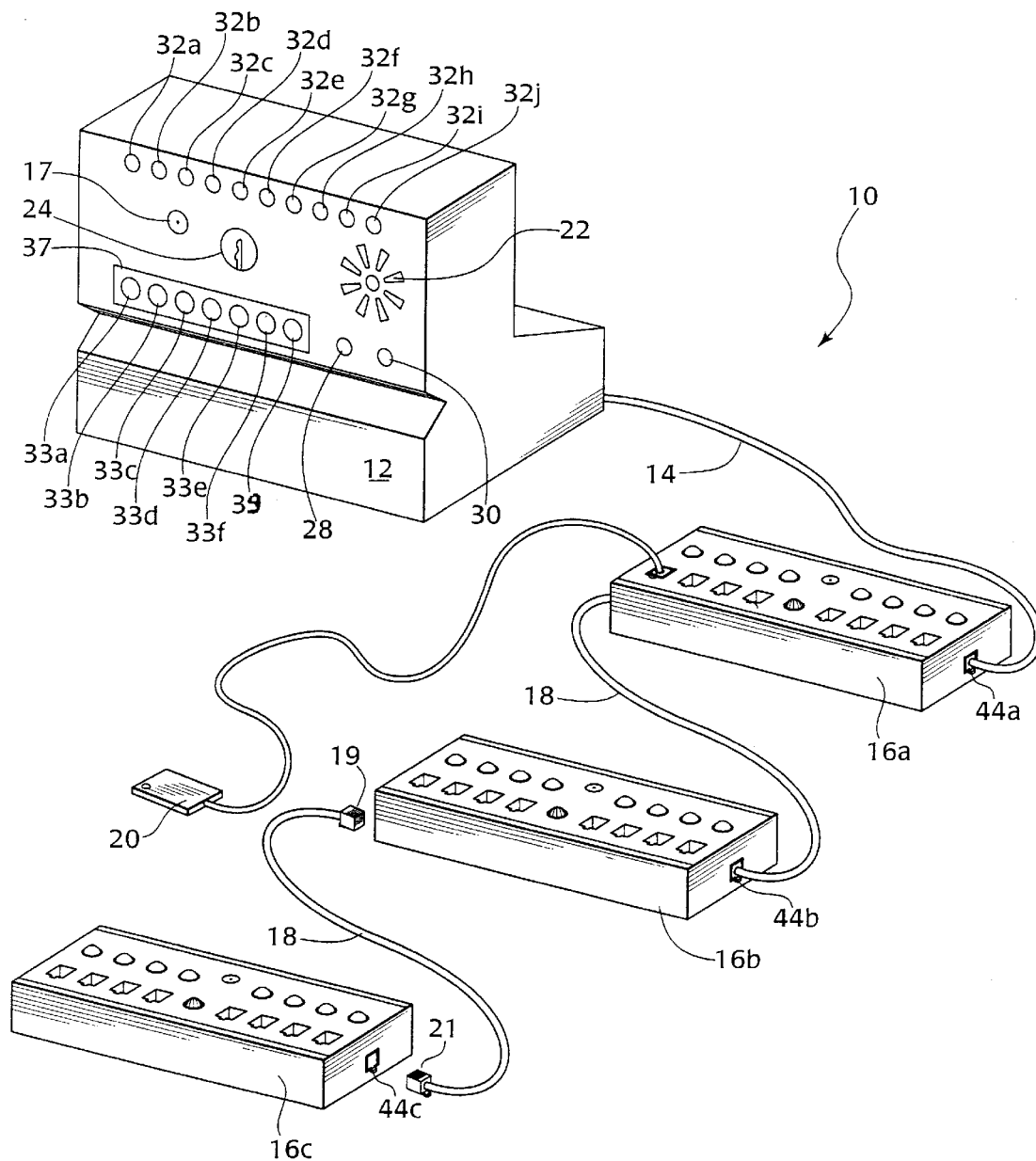


Fig. 1a

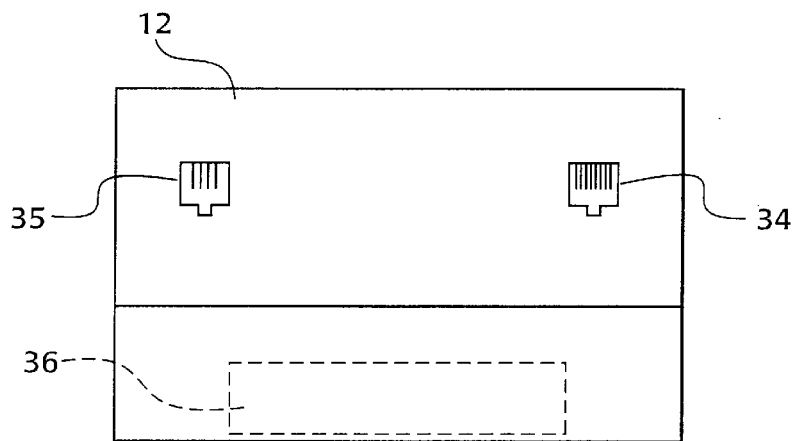


Fig. 1b

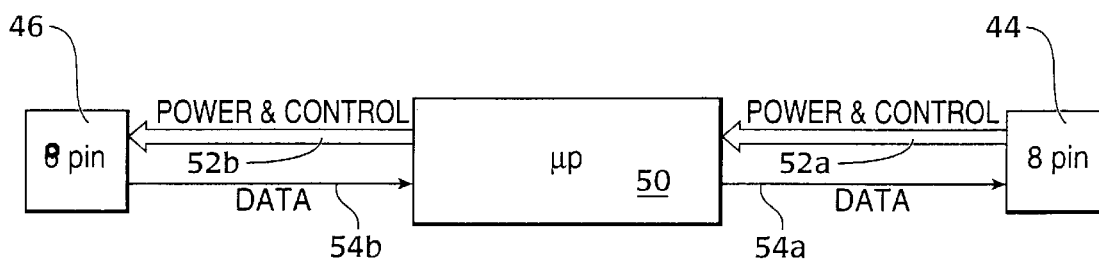


Fig. 3a

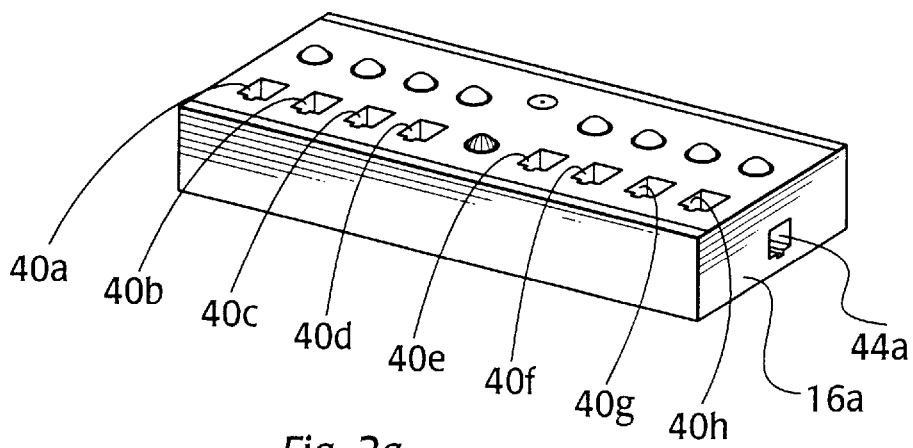


Fig. 2a

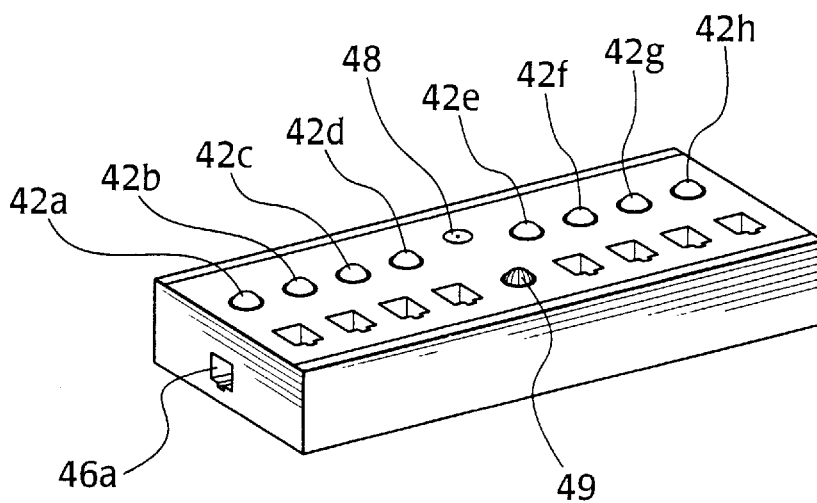


Fig. 2b

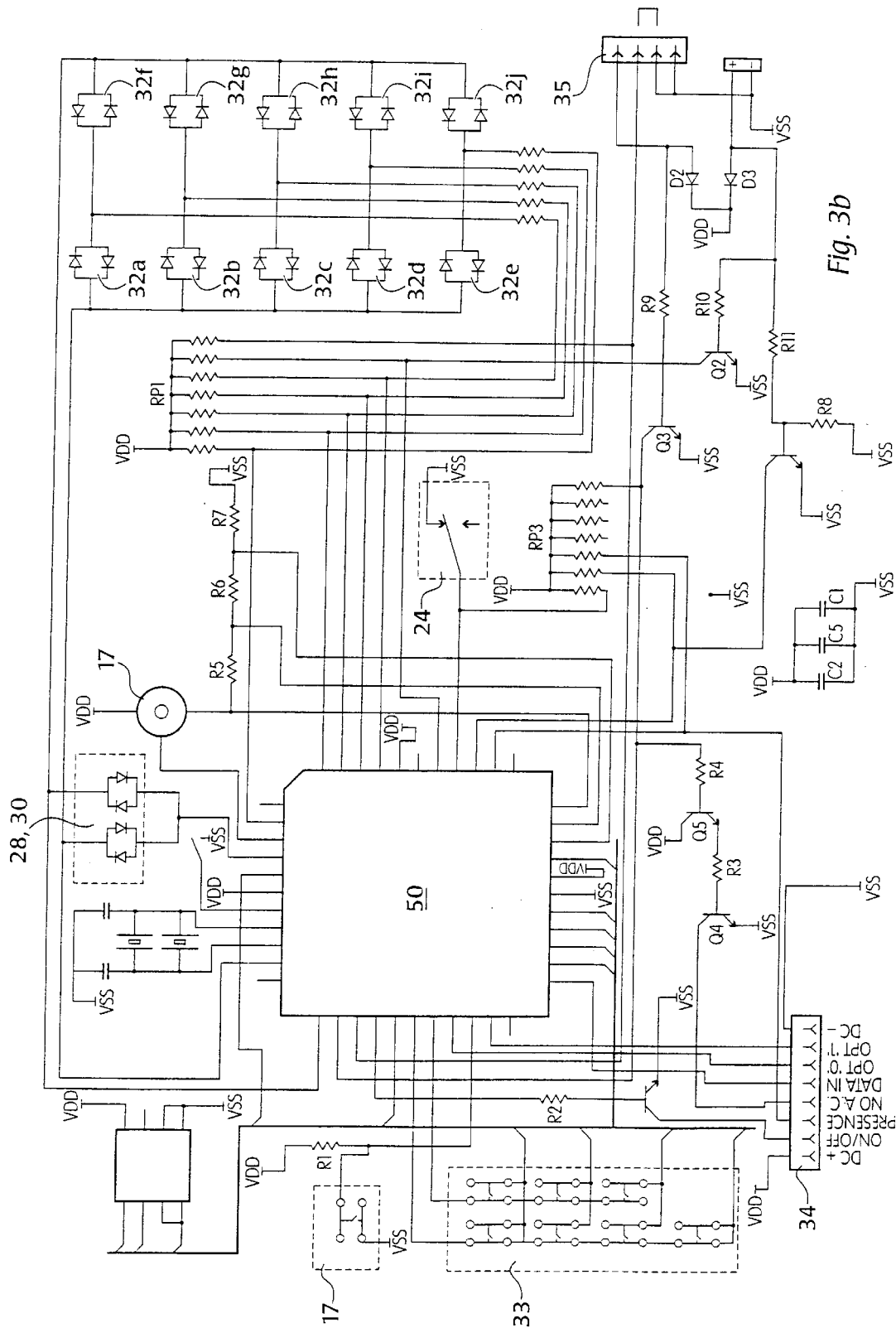


Fig. 3b

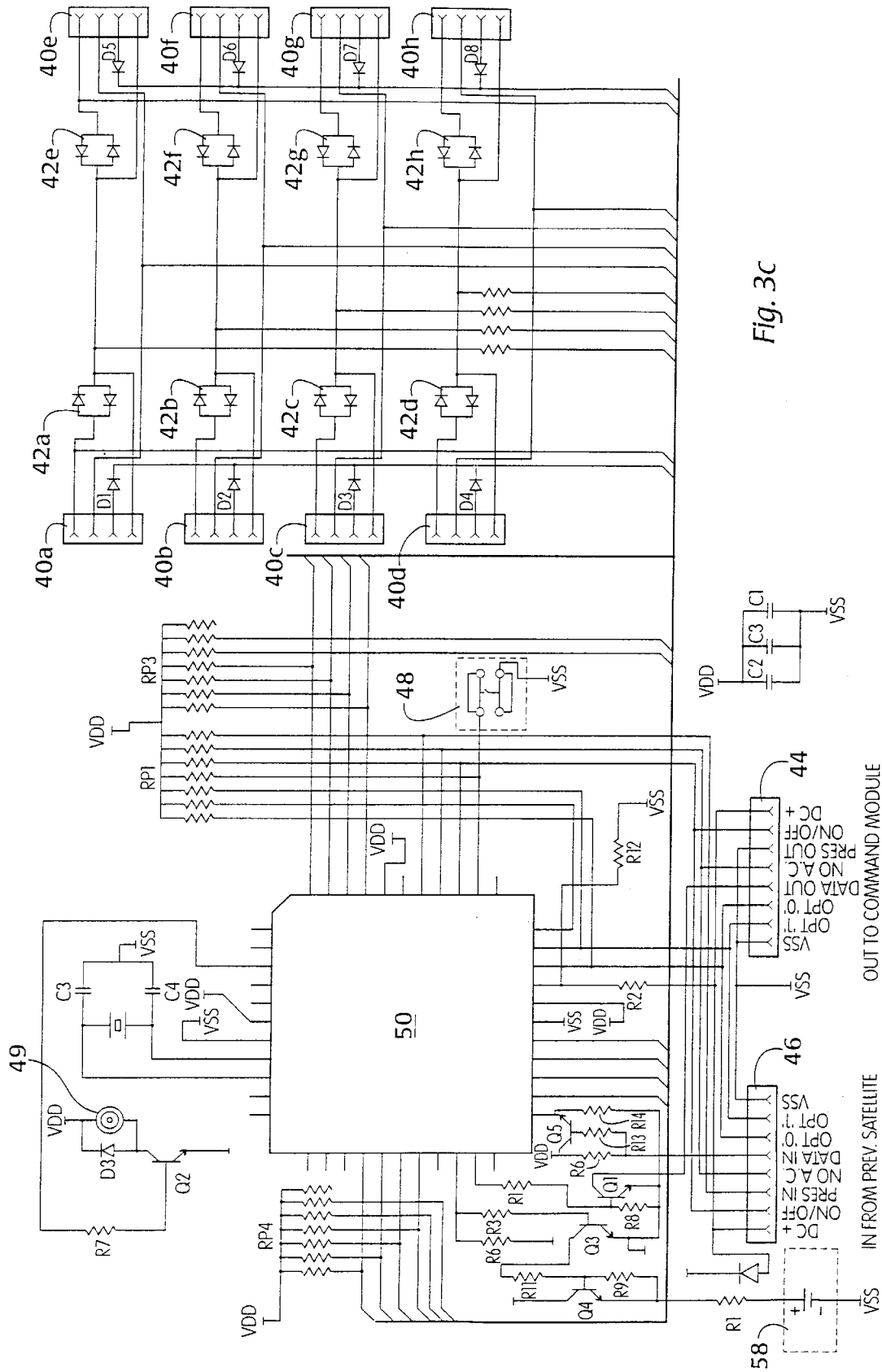


Fig. 3c

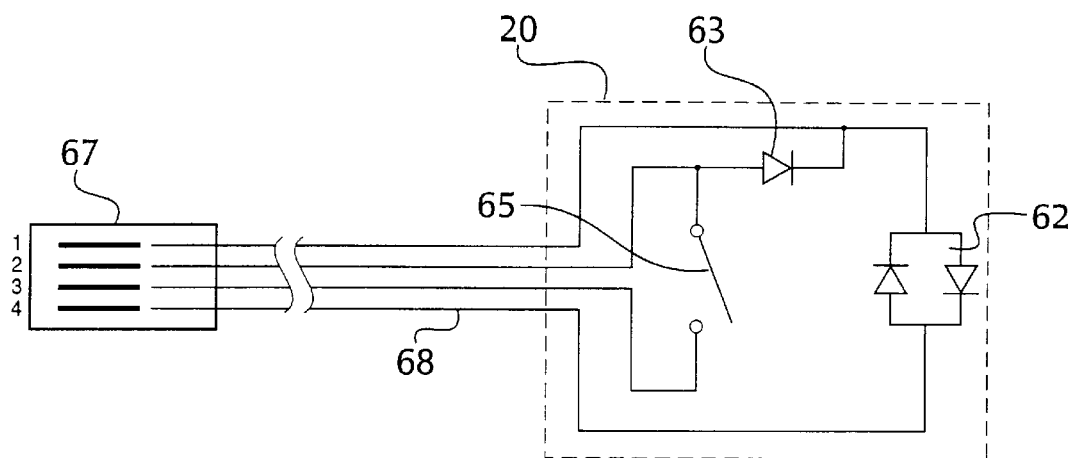


Fig. 4a

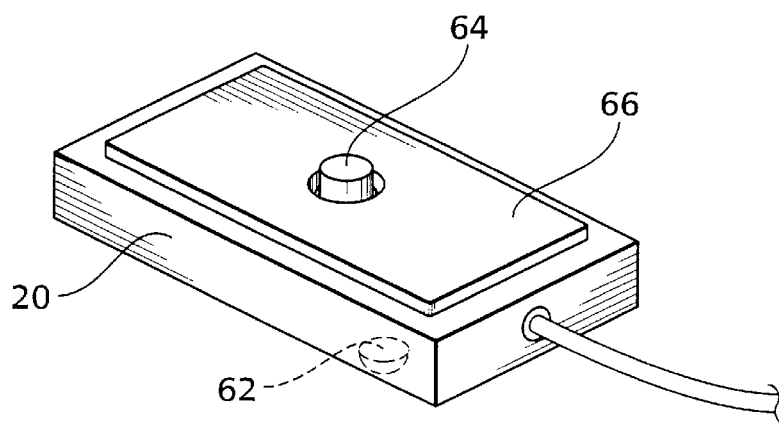


Fig. 4b

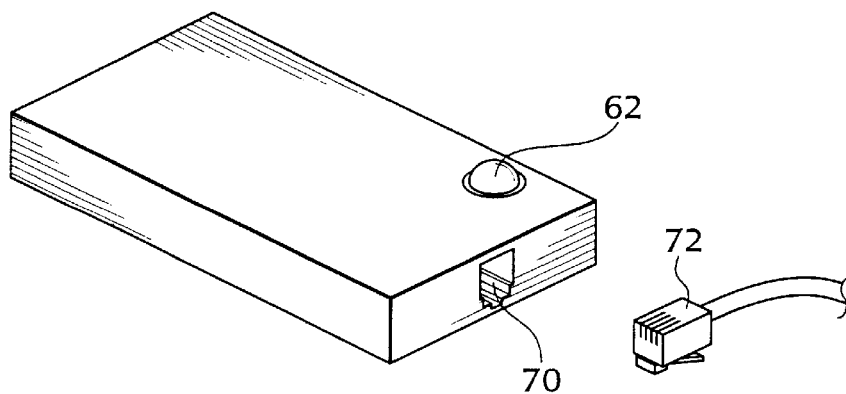


Fig. 5

ANTI-THEFT SECURITY SYSTEM FOR PRODUCT DISPLAYS

BACKGROUND OF THE INVENTION

1. Field of the Invention

The present invention relates to security and anti-theft devices. More particularly, it relates to an anti-theft security system for consumer product displays.

2. The Prior Art

U.S. Pat. No. 5,172,098 to Leyden et al., discloses an alarm system sensing and triggering apparatus. The system includes an alarm box with splitter boxes connected in a series configuration. Each splitter box enables the connection of up to six sensors. The splitter boxes can be connected to each other in series to enable the connection of additionally sensors. According to Leyden et al., each jack for receiving a sensor in the splitter box must be filled upon power up of the system. Thus, if one of the jacks is left open, the circuit cannot complete itself, and the system will not operate. To remedy this situation, Leyden requires the use of a shunt device for connection to each and every unused sensor jack. In addition, the shunt must be used on the last splitter box in the series chain in order to properly terminate the chain.

The present invention proposes to eliminate the use of shunt devices for connection as a dummy sensor, or for terminating the last sensor module in the series chain.

SUMMARY OF THE INVENTION

According to the invention, microprocessor technology is utilized in each sensor module (satellite) connected to the command module. The microprocessor and programming thereof enables the connection of multiple sensor modules to a command module. The command module includes indicator LED's for each sensor module connected to the system, a programmable keypad for controlling the unit, a key operated switch, a setup button and other indicator lights. The sensor modules/satellites are capable of receiving up to eight (8) sensors each and include status indicators for each sensor connected to the sensor satellite.

Unlike the prior art, the sensor modules/satellites of the invention do not require a sensor to be plugged into each of the eight (8) possible modular jacks, nor does it require that anything be plugged in all of the jacks. Upon power up of the system, the programming of the processors within the sensor modules/satellites will scan all eight (8) of the modular jacks and determine which of them have sensors connected. Any modular jacks that do not have a sensor connected, will be noted during the scanning process.

The overall system does not require that the maximum of ten possible sensor modules be connected to the command module to form a complete system. It can work with as few as a single sensor satellite, or as many as ten sensor satellites. After activation of the unit and arming of the system, the command module will constantly monitor the presence of all of the sensor satellites. This enables the command module to detect a break in the main control cable or the disconnection of a main control cable between sensor satellites. Under these circumstances, all of the modules beyond the break in the control would indicate an alarm condition on the command module, thus enabling a quick and easy determination as to where in the system the break occurred.

It is therefore an object of the present invention to provide an anti-theft security system for product displays that utilizes microprocessor technology.

It is another object of the invention to provide an anti-theft security system for product displays that does not require the use of shunt devices in the sensor modules.

A further object of the invention is to provide an anti-theft security system for product displays that has a connection configuration for the command module and all subsequent sensor satellites that prevents the improper connection of the system components.

Another object of the invention is to provide an anti-theft security system for product displays that operates efficiently and reliably.

BRIEF DESCRIPTION OF THE DRAWINGS

Other objects and features of the present invention will become apparent from the following detailed description considered in connection with the accompanying drawings which disclose an embodiment of the present invention. It should be understood, however, that the drawings are designed for the purpose of illustration only and not as a definition of the limits of the invention.

In the drawings, wherein similar reference characters denote similar elements throughout the several views:

FIG. 1a is a perspective diagram of the anti-theft security system according to the invention;

FIG. 1b is a rear view of the command module according to the invention;

FIG. 2a is a right side perspective view of a sensor module according to the invention;

FIG. 2b is a left side perspective view of the sensor module according to the invention;

FIG. 3a is a block diagram of the sensor module according to the invention;

FIG. 3b is a schematic diagram of the command module circuit according to the invention;

FIG. 3c is a schematic diagram of the sensor module circuit according to the invention;

FIG. 4a is a schematic diagram of the sensor according to the invention;

FIG. 4b is a perspective view of a first embodiment of the sensor according to the invention; and

FIG. 5 is a perspective of a second embodiment of the sensor according to the invention.

DETAILED DESCRIPTION OF PREFERRED EMBODIMENTS

FIG. 1 shows the anti-theft product display system 10 according to the invention. System 10 includes a command module 12 connected with a group of sensor satellites 16a, 16b, 16c, etc. A connection wire 14 connects command module 12 to the first sensor satellite 16a in the chain. Subsequent sensor satellites are connected to the previous satellites in a daisy chain configuration with satellite connection wire 18. Each satellite 16 can accommodate a group of sensors 20 for attachment to the products being displayed.

FIG. 1 shows command module 12 according to the invention. Command module 12 includes an AC power indicator 30 and a low battery and no battery indicator 28. AC power indicator 30 provides an indication as to the current operating power conditions of the command module, and indicates whether or not a power connector is attached. Command module 12 includes a group of indicator lights 32a-32j, each for indicating the current operating status of one of the sensor satellites connected to said command module. Command module 12 also has an internal speaker

22 for producing an audible alarm signal. A setup key switch 24 has a dual function and enables the user to turn on and off the programming mode of the command module, or can be used to override the use of keypad 37. Command module 12 includes a main button 17 for placing the command module in the setup and programming mode.

A programmable keypad 37 having keys 33a–33f provide operator control and specialized operating features to the system when in programming or setup mode. Keypad 37 includes an indicator LED 39 for providing a visual indication as to the current operating mode of the command module. LED 39 has five operating modes: 1) solid green, indicating the system is armed and operating; 2) flashing green indicates the unit has been silenced via keypad 37 or keyswitch 24, but there are existing alarm conditions; 3) solid red, indicating the unit is in setup mode #1 (i.e., satellites or sensors may be added or removed); 4) flashing red, indicating configuration mode where system options may be set or reset via keypad 37; and 5) fast flashing red indicating code change mode where the operation key code may be changed.

FIG. 1b shows the rear of command module 12 which has an eight (8) pin modular receptacle 34 for connection to the first sensor satellite 16a in the chain. A four (4) pin modular receptacle 35 is provided for receiving a plug in DC power supply (not shown) that supplies 6 volts DC power to the system. A battery pack 36 can be disposed within command module 12 to provide primary or backup power to the system. In the preferred embodiment, battery pack 36 is a backup power supply in the event of power failure to jack 35.

FIGS. 2a and 2b show the sensor satellite 16a according to the invention. Each sensor satellite 16 has eight (8) modular jacks 40a–40h for connecting up to eight (8) sensors 20 (FIGS. 4a, 4b and 5). The modular jacks 40a–40h each have a corresponding status indicator 42a–42h, respectively, for indicating the current operating status of the sensor connected to that specific modular jack. Status indicators 42a–42h are preferably bi-color LED's, having red and green operating modes, however they may be any suitable type of indicator light that is capable of displaying two distinguishable colors.

Satellite 16a has a first connection port or eight (8) pin modular jack 44a on one side for connecting said module to the modular jack 34 on the rear of command module 12. A second connection port or eight (8) pin modular jack 46 is located on the opposite side of satellite 16 and is for connecting the satellite to another satellite of the same type. FIG. 1a shows a first satellite 16a connected to command module 12 via connection cable 14 and the 8 pin modular jack 44a. The satellite connection wire 18 has an eight (8) pin modular plug at one end for connecting to modular jack 46a in satellite 16a, and an eight (8) pin modular plug at the other end for connecting to modular jack 44b in the satellite 16b, with a daisy chain type connection.

Satellite connection wire 18 and connection ports/modular jacks 44 and 46 enable the connection of up to ten (10) satellites 16 to command module 12 in a daisy chain series connection. Although modular jacks 34, 44, 46 and 40 are shown and described to be 8 pin, 8 pin, 8 pin, and 4 pin, respectively, other sizes may be incorporated without departing from the scope of the invention.

Each sensor satellite 16 includes a local reset button 48 (FIG. 2b) for locally resetting the specific satellite when an alarm condition occurs at that module. In one configuration, when an alarm condition occurs at any of the satellites 16

connected to command module 12, on/off (reset) key 24 or a proper code entry on keypad 37 can globally reset the entire system from the command module location. In this instance, the local reset button 48 on each satellite module is not necessary. In a second configuration, an alarm condition can be reset by requiring the user to reset the system using reset key 24 or the proper code entry on keypad 37, and then reset the specific satellite locally via reset button 48. The ability to switch between the global reset condition and the local reset condition is provided by programming performed through keypad 37 on command module 12 (FIG. 1a) prior to initiating operation.

FIG. 3a shows a block diagram of the sensor satellite 16 according to the invention. A microprocessor 50 is coupled to the first connection port/modular jack 44 via power and control lines 52a and data line 54a. On the other side, microprocessor 50 is connected to the second connection port/modular jack 46 via power and control lines 52b and data lines 54b. Power and Control lines 52a and 52b carry power and control information from command module 12 to each of the satellites connected in the chain. Data lines 54a and 54b carry the data information from each of the satellites back to command module 12. FIG. 3b shows a schematic diagram of the satellite 16 according to the invention.

FIGS. 4a and 4b shows a sensor 20 according to the invention. Sensor 20 is connected to one of the modular jacks 40 on sensor satellites 16 with modular plug 67, via sensor wire 68. An adhesive foam tape 66 is used to affix sensor 20 to the product being displayed. A switch 65, contained within sensor 20, is engaged by plunger 64 when the sensor is attached to a displayed product. When attached to the displayed product, plunger 64 is depressed and closes switch 65 to complete the circuit. When switch 65 is closed, sensor 20 is in a secure state, and when switch 65 is open, resulting from the removal of the sensor from the displayed product for any reason, sensor 20 is in an unsecure state.

Sensor 20 includes an LED 62 for indicating the current state of the sensor. LED 62 is a bi-color LED having one color for indicating a secure state, and another for indicating an unsecure state. Although the colors for LED 62 can be any suitably distinguishable colors, in the preferred embodiment of the invention, LED 62 is green when sensor 20 is in a secure state, and red when in an unsecure state.

FIG. 5 shows a second embodiment of sensor 20 according to the invention. Sensor 20 includes a modular jack 70 for receiving modular plug 72 on the sensor connection wire 68. In this embodiment, the sensor can be disconnected with the sensor module without having to remove sensor itself from the displayed product.

FIG. 3b shows a schematic circuit diagram of the command module 12, according to the invention. Command module 12 receives its operating power through jack 35. Jack 35 is a four (4) pin connector which receives AC power on two of the four pins, and the other two pins are looped out through the plug-in DC power supply to detect the presence of the plug. If the plug is not present, the unit goes into a special alarm mode and indicates this on an AC power LED 30.

A battery 36 provides backup power to the system in the event of power failure to jack 35. A diode isolates the incoming power supply from the battery pack to prevent current direction problems between the incoming power and the battery. Both the incoming power and battery supplies are broken off before the isolating diode and routed to the processor and a monitor to determine the presence of a battery, the condition of the battery, and the presence of the plug-in DC power supply and DC power.

Once powered up, command module **12** runs through an initialization that is transparent to the user. The initialization determines the presence of the satellite modules, and places the command module in a wait state where it awaits communications from the connected satellite modules. The communication comes in on the data in line of jack **34**. The data transmission is a serial communication and is presented to the command module in packets of four bytes. The input data is broken up into two pieces: (1) the presence of a satellite; and (2) the condition of the satellite, if present. Command module **12** will light the corresponding LEDs **32a–32j** according to the satellite modules present and their current operating condition. No LED lit indicates no satellite connected, a green LED indicates the presence of a satellite, and a flashing red LED indicates an alarm condition on the particular satellite.

Keypad **33** is a group of six buttons (**33a–33f**) that provide programmable features for configuring command module **12**, and for code control without a key. Among the programmable features are, the type of alarm sound (e.g., fast pulse, slow pulse, or steady tone), whether the satellite modules require local reset via button **48**, whether the satellite's local sounding is activated via speaker **49**, and whether or not there will be shock or termination plugs required on the unused inputs of the satellite.

Resistor blocks **RP3** and **RP1** are pullup resistor blocks for preventing the respective inputs from floating or oscillating. Resistor block **RP1** pulls up the **3** "A" ports on processor **50** which are used to drive LED's **32a–32j**. The LED's **32a–32j** that are not lit upon initialization (i.e., no satellite module present) are actually floating inputs, and require pullup resistors **RP1**.

Sounding device **17** is a piezo device that is connected across the power supply in series with a volume controlled resistor divider network for allowing the user to vary the volume of the alarm. Sounding device **17** is coupled to processor **50** and receives its signal instruction from said processor.

Processor **50** is a PIC16C65 RISQ processor that has a limited instruction set, and internal communications which operate as a serial communications port. Therefore, the serial communication between command module **12** and satellites **16** is performed through the use of serial communication processors **50**.

Switch **24** is the keyswitch on command module **12** and operates to override the use of keypad **37** and allows the user to place the command module **12** in a setup or programming mode. Switch **24** activates a mechanical cam lock that physically activates **SW1** for performing these functions.

The satellites **16** are connected to the system in series via input (**46**) and output (**44**) jacks. The last satellite in the chain, or the one furthest from the command module detects the fact that it does not have another satellite connected to its input jack **46**. This satellite determines that it is the source of all transmissions and begins transmitting data as to its own status back toward the command module. The next satellite in the chain (i.e., next closer to the command module) receives the data transmission from the previous satellite, adds its own data, and retransmits it along the line. This process continues until the command module processor has obtained the number of satellites present, and the condition of each.

The communications are such that the satellites transmit data every 250 milliseconds. Therefore, when operating at 2400 baud, the highest possible delay could be up to 0.5 second. Pin **3** of jack **34** is a presence detection line for

enabling the processor to detect the presence or lack thereof of a satellite. There are two ways to detect that there is no satellite connected. One is the lack of a signal on pin **3**, the other is an overall lack of communication for a predetermined period of time, such as, for example, 4 seconds. Pin **4** of jack **34** is the data pin for indicating the presence of AC power to the command module. If there is no AC power to the command module and it is operating on battery power, the satellites are notified of this condition and the LED's in the system are extinguished to save battery power.

The LED's **32a–32j** are arranged in an matrix where rows and columns are activated depending upon the presence of power and the color is changed according to the polarity of the power applied. The activation of the LED's is software driven and can be performed in two groups of five, or five groups of two. For example, if we put a polarity on the junction of LED's **32a** and **32f**, the corresponding opposite power of the common connections for LEDs **32a–32e**, or LED's **32f–32j**, will determine if that LED lights or not. Microprocessor **50** lights LEDs **32a–32j** according to the data it receives and must present, and therefore will not attempt to activate an LED as an output that is not required to be as such according to the input data received. Resistor group **MD5-47** are current limiters for LEDs **32a–32j** and provide proper operation thereof. Low battery indicator **28** monitors the battery directly through a voltage divider, and when the voltage at the base of transistor **Q1** drops below 0.7 volts, the low battery indicator is illuminated to indicate the low battery condition.

FIG. **3c** shows a schematic diagram of a satellite module **16** according to the invention. The satellite module has an input jack **46** for receiving input data from a previous satellite in a chain, and an output jack **44** for sending data out toward the command module. The data stream from the satellites is unidirectional toward the command module. Most of the signals between input **46** and output **44** are common. V_{dd} and V_{ss} are common to both and are fed through from satellite to satellite supplying power. The on/off and AC power signals are also paralleled right through from input **46** to output **44**. The data in pin **5** of input **46** feeds directly to the processor and the data out pin **4** of output **44**.

A presence signal can be received on pin **3** of input **46** to indicate the presence of a satellite in the chain that is further away from the command module. When there is a satellite connected to input **46**, pin **3** is shorted to ground from the previous processor of the previous satellite. AS can be seen on output **44**, pin **6**, which is a presence out indicator, is tied to ground (V_{ss}). Thus, when pin **3** of input **46** is grounded, the processor in that satellite knows that there is another satellite connected further down the chain. Therefore when input **46** is open, and pin **3** is not grounded, the satellite processor knows it is the first satellite in the chain or the source of communication, and begins transmitting data through output **44**.

An sound alarm **49** is provided to enable an optional local audible alarm for each satellite. When selected, the alarm **49** will provide a local alarm sound at the satellite location.

A lithium battery **58** is provided within each satellite **16** to prevent the loss of data from the satellite in the case of a power failure from the command module. Battery **58** is connected with a switching mechanism and the processor such that when the power fails from the command module while in the armed state, the switching system switches power over to the battery **58** and continues to operate the satellite even though it is disconnected from the command

module. When operating with battery power, the satellite will continue to scan its inputs and latch any violations, such that when the command module power is restored, the violations that occur during the power failure are indicated on the command module. Thus, battery 58 provides a data retention feature for each satellite connected to the system and prevents a perpetrator from disconnecting the satellite and then disconnecting a sensor. Should the command module power be disconnected for a period greater than 48 hours, the satellite processor will shut down the respective satellite to prevent over draining of battery 58. If the satellite is disconnected while the system is disarmed, the internal battery 58 will disconnect itself immediately.

To determine the presence of a sensor, processor 50 drives port pin RD6 from a high impedance input to a ground output. The ground is presented on pin 1 of jacks 40a-40d and enters the sensor on pin 1, and if the sensor is present, the signal will drive pin 2 of the sensor to ground through diode 63 in sensor 20. When pin 2 of the sensor is grounded, the corresponding sense signals (i.e., SENS1-5, SENS2-6, SENS3-7, SENS4-8) are grounded. The sense signals are read by the processor on port pins RD0-RD3. When the processors reads these signals, any signal not pulled to ground through the sensor diode will be pulled high by pullup resistors RP4. This process is repeated for jacks 40e-40h by allowing RD6 to return to a high impedance state and driving port pin RD7 to a ground output and again reading the information on port pins RD0-RD3. On this read step, the presence of sensors on jacks 40e-40h will be detected. Once complete, port pin RD7 is returned to a high impedance state.

Once the sensor presence scan is complete, the satellite must read the conditions of the sensor switches of the detected sensors. In order to do this, processor 50 drives port pins RD4 (SW1-4) from a high impedance input to a ground output. This ground is presented on pin #3 on jacks 40a-40d through isolation diodes D1-D4, and if a sensor switch is closed, the signal will drive pin #2 of the sensor 20 to ground. When pin #2 is driven to ground, the corresponding sense signals (i.e., SENS1-5, SENS2-6, SENS3-7, SENS4-8) are also grounded. These sense signals are read on port pins RD0-RD3. When processor 50 reads these signals, any signal not pulled to ground will be pulled high by pullup resistors RP4. This process is repeated for jacks 40e-40h by allowing RD4 to return to a high impedance state, and driving port pin RD5 (SW5-8) to a ground output and reading the data on RD0-RD3.

The lighting of LEDs 42a-42h are driven in four (4) stages, where each stage attempts to light 4 LEDs once for each color. Stage 1 attempts to light LED's 40a-40d green. The lighting data for green LEDs 40a-40d is received on port A (RA0-RA3) of the processor 50. Any LEDs to be lighted green will put a ground signal on the corresponding bit. The processor then drives port pin RD6 (LED1-4) to a 6 volt output. This causes any of the port pins RA0-RA3 (and thereby the corresponding LED) with a ground signal to light green.

Stage 2 of the LED lighting deals with LEDs 40e-40h. The lighting data for green LEDs 40e-40h is received on port A of the processor (i.e., RA0-RA3). Again, any LEDs to be lighted green with put a ground signal on the corresponding bit. The processor then drives port pin RD7 (LED 5-8) to a 6 volt output. This causes any of the port pins RA0-RA3 (and corresponding LED) with a ground signal to light green.

Stage 3 attempts to light LEDs 40a-40d red. The lighting data for red LEDs 40a-40d is received on port A (RA0-RA3) of the processor. Any LEDs to be lighted red will put a 6 volt signal on the corresponding bit of data. the

processor then drives port pin RD6 (LED1-4) to a ground output. This causes any of the port pins RA0-RA3 with a 6 volt signal to light the corresponding LED red.

Stage 4 attempts to light LEDs 40e-40h red. The lighting data for red LEDs 40e-40h is received on port A (RA0-RA3) of the processor. Any LEDs to be lighted red will put a 6 volt signal on the corresponding bit of data. the processor then drives port pin RD7 (LED5-8) with a ground output. This causes any of the port pins RA0-RA3 with a 6 volt signal to light the corresponding LED red.

The transfer of data between the satellites 16a, 16b, 16c . . . etc. and command module 12 is performed in packets of information. Each packet consists of 4 bytes. The first byte (#1) holds the presence data for satellites electrically designated 1-5. The second byte (#2) holds the presence for satellites electrically designated 6-10, byte #3 holds the alarm information for satellites 1-5 and byte #4 holds the alarm information for satellites 6-10.

The presence and alarm data are stored in individual bits of their respective bytes. For example, the satellite furthest from the command module detects that it is the last satellite in the chain, and therefore is the source of all communications. This satellite will set the presence bit for the first satellite (actually the last electrically designated satellite when displayed) in byte #1, and if necessary will set the alarm bit for the first satellite in byte #3. After this, a parity bit is calculated for each byte added.

All four bytes are then transmitted to the next satellite in the chain. This satellite examines the input data and determines which bit it needs to set to show its presence. Once determined, the satellite then knows which bit to set to indicate an alarm, if necessary. Parity is again recalculated, and the data is re-transmitted. Any error in the data or parity will cause the satellite to disregard the entire packet of information and wait for another packet. The satellite must receive valid data before it can retransmit. This process continues until the command module receives the data. The command module manipulates the bits such that the last presence bit added is displayed as the first satellite in the system. Any corresponding alarm bits set will display alarm conditions.

With the system in normal operating condition (i.e., armed and monitoring the various equipment retail items), removing a sensor plug from a previously used jack or inserting a sensor plug into a previously unused jack, will activate the alarm. This is because the satellites, upon turn-on and activation, have determined which jacks should be vacant and which should not. Thus, it can determine whether a sensor is present that was not initially present, or a sensor is not present that was initially present. In either case, the system will register alarm because of disruption of the initial configuration of the sensor module. In other words, when the system is turned on, the microprocessor is initialized to those sensors which are already plugged in and also the ones that are not, or the vacant four pin terminals, through its volatile memory. Any change in the volatile memory of the microprocessor while the system is on, such as the removal of a four-pin connector or the plugging in of a new four-pin connector will be sensed by the microprocessor as being different than its initialized state and thus set off an alarm.

While one embodiment of the present invention has been shown and described, it is to be understood that many changes and modifications may be made thereunto without departing from the spirit and scope of the invention as defined in the appended claims.

What is claimed is:

1. A computer controlled anti-theft security system for product displays comprising:
 - a command module having a front panel, a back panel, a power supply means for providing power to the system,

9

a satellite connection receptacle, and a programmable device, said programmable device including

(a) a command module micro-processor electrically coupled to said power supply means, and said satellite connection receptacle;

(b) a keypad electrically coupled to said command module micro-processor, disposed on said front panel of said command module, to generate user selected operating instructions to said command module micro-processor, the instructions configuring the anti theft security system to operate in a predetermined configuration;

at least one sensor satellite coupled to the satellite receptacle of said command module, said at least one sensor satellite having a satellite input port, a satellite output port, a plurality of sensor connection jacks, and a plurality of status indicators, wherein said satellite input port and said satellite output port connect additional sensor satellites;

at least one sensor coupled to said satellite sensor connection jack; and

a satellite micro-processor electrically coupled to said satellite input port, said satellite output port, said plurality of sensor connection jacks, and said plurality of status indicators.

2. The computer controlled anti-theft security system according to claim 1, wherein said power supply means comprises:

a power jack disposed on the back panel of said command module;

a DC power supply releasably connected to said power jack and adapted to provide DC power to said command module; and

a backup power supply for maintaining the operation of said command module micro-processor when said DC power supply fails.

3. The computer controlled anti-theft security system according to claim 2 wherein said command module further comprises:

a plurality of indicator lights corresponding to each of said at least one sensor satellites connected to said command module, said plurality of indicator lights controlled by said command module micro-processor;

an on/off keyswitch adapted to activate and deactivate the computer controlled anti theft security system;

a speaker adapted to provide audible alarm sounds during operation of the system, said speaker controlled by said command module micro-processor;

an AC power indicator adapted to provide power status indication to the user, said AC power indicator controlled by said command module micro-processor; and a backup power supply indicator adapted to provide status of the backup power supply.

4. A computer controlled anti-theft security system according to claim 3, wherein said indicator lights are LED lamps.

5. A computer controlled anti-theft security system according to claim 3, wherein said on/off keyswitch will reinitialize the command module micro-processor and thus reset the system after the alarm goes off provided no sensor alarm state exists.

6. The computer controlled anti-theft security system according to claim 1, wherein said at least one sensor satellite further comprises:

a speaker coupled to said satellite microprocessor and being adapted to selectively provide an audible alarm; and

10

a local reset button-coupled to said satellite micro-processor and being adapted to selectively reset said sensor satellite after an alarm condition, said local reset button being activated or deactivated by said programmable device of said command module.

7. A computer controlled anti-theft security system according to claim 1, wherein said satellite micro-processor is adapted to receive input data from said sensors and generate output data representative of the current operating status of said sensor satellite and any sensor satellites additionally connected to said satellite input port regardless of the presence of said sensor in said sensor connection jack.

8. A computer controlled anti-theft security system according to claim 7, wherein said satellite micro-processor further comprises:

means for receiving from said additionally connected satellites binary input data wherein 0 represents ground and 1 represents an elevated state,

means for examining said binary input data,

means for generating binary output data in the form of 32 bits (four 8-bit bytes) representative of the current operating status of said sensor satellite and any sensor satellites additionally connected to said satellite input port regardless of the presence of said sensor in said sensor connection jack, and

means for transmitting said binary output data to either another said sensor satellite micro-processor or said command module micro-processor.

9. A computer controlled anti-theft security system according to claim 8, wherein said satellite micro-processor further comprises:

means for calculating a parity bit of said binary output data for each byte added,

means for checking said parity bit of said binary input data,

means for waiting and accepting additional binary input data in the event said parity bit signals an error, and

means for transmitting said parity bit with said binary output data.

10. A computer controlled anti-theft security system according to claim 1, wherein said at least one sensor satellite comprises up to 10 satellites modules coupled in series to each other.

11. A computer controlled anti-theft security system according to claim 1, wherein each satellite module has up to 8 sensor connection jacks for receiving up to 8 sensors.

12. A computer controlled anti-theft security system according to claim 11, wherein the removal of any sensor or disconnection of any satellite module will be sensed by said command module microprocessor to trip the alarm on said command module.

13. A computer controlled anti-theft security system according to claim 1, wherein said keypad is adapted to activate and deactivate said computer controlled anti-theft security system.

14. A computer controlled anti-theft security system according to claim 1, wherein a keyswitch activates said keypad to permit the user to generate user selected operating instructions to said command module micro-processor.

15. A computer controlled anti-theft security system according to claim 1, wherein a battery is electrically connected to said sensor satellites to maintain functionality when said sensor satellite is disconnected from said command module while activated.