



US00D959441S

(12) **United States Design Patent** (10) **Patent No.:** **US D959,441 S**
Kelsch et al. (45) **Date of Patent:** **** Aug. 2, 2022**

(54) **ANTI-THEFT DEVICE FOR A CLAMSHELL-TYPE ELECTRONIC GADGET**

(71) Applicants: **Christopher A. Kelsch**, Palm Harbor, FL (US); **Vanguard Products Group, Inc.**, Oldsmar, FL (US)

(72) Inventors: **Christopher A. Kelsch**, Palm Harbor, FL (US); **Wade Zhu**, Tampa, FL (US); **Lee Eckert**, Sarasota, FL (US)

(73) Assignee: **Vanguard Products Group, Inc.**, Oldsmar, FL (US)

(**) Term: **15 Years**

(21) Appl. No.: **29/785,589**

(22) Filed: **May 26, 2021**

(51) **LOC (13) Cl.** **14-02**

(52) **U.S. Cl.**
USPC **D14/447**

(58) **Field of Classification Search**
USPC D14/447, 432, 434, 439, 440, 451, 452, D14/457, 239, 253, 250; D8/363, 373, D8/380; D6/406.3, 406.4, 406.5, 406.6; D12/415; D21/333, 332; D10/106.9, D10/106.9

CPC A47B 21/04; A47B 2097/006; A47B 2097/005; A47B 2023/049; A45C 2011/002; A45C 2011/003; F16M 2200/00; F16M 13/00; G08B 13/1409

See application file for complete search history.

(56) **References Cited**

U.S. PATENT DOCUMENTS

5,457,745 A 10/1995 Wang
D390,849 S 2/1998 Richter et al.
D411,542 S 6/1999 Richter
D456,024 S * 4/2002 Richter D14/434

D529,905 S * 10/2006 Richter D14/447
D566,118 S 4/2008 Brassard
D685,379 S * 7/2013 Richter D14/447
D685,804 S * 7/2013 Richter D14/447
D693,352 S * 11/2013 Gelsomini D14/447
D723,042 S * 2/2015 Lee D14/447
D752,571 S * 3/2016 Richter D14/253
D772,218 S 11/2016 Alesi et al.
D786,882 S * 5/2017 Cho D14/447
9,972,178 B2 * 5/2018 Richardson G06Q 30/0185
D832,248 S 10/2018 Sukphist et al.
D859,393 S 9/2019 Dang et al.
D877,688 S 3/2020 Liu
D890,740 S 7/2020 Khubani et al.
D892,787 S 8/2020 Chen
D896,177 S 9/2020 Zheng
D900,087 S 10/2020 Leeds-Frank et al.
D907,029 S 1/2021 Khubani et al.
D923,451 S * 6/2021 Kelsch D8/330
D927,495 S * 8/2021 Kelsch D14/447

(Continued)

Primary Examiner — Angela J Lee

(74) *Attorney, Agent, or Firm* — Smith & Hopen, P.A.; Andriy Lytvyn; Anton J. Hopen

(57) **CLAIM**

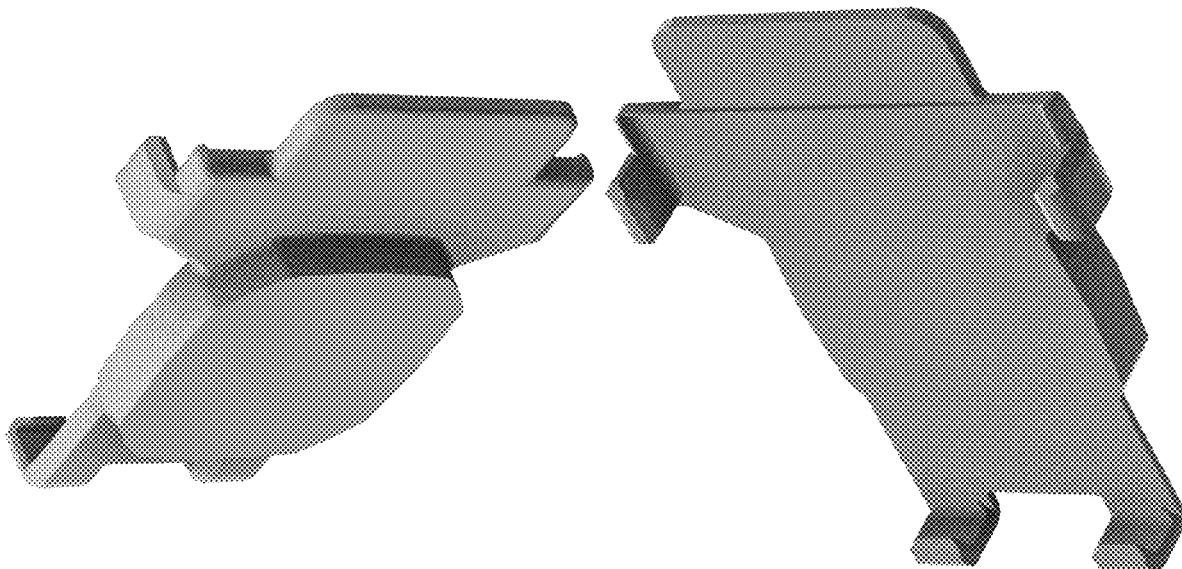
The ornamental design for an anti-theft device for a clamshell-type electronic gadget, as shown and described.

DESCRIPTION

FIG. 1 is a perspective back view of an anti-theft device for a clamshell-type electronic gadget showing the claimed design;

FIG. 2 is a back view thereof;
FIG. 3 is a front view thereof;
FIG. 4 is a bottom view thereof;
FIG. 5 is a top view thereof;
FIG. 6 is a left view thereof.
FIG. 7 is a back-top-right perspective thereof; and,
FIG. 8 is a front-right-top perspective view thereof.

1 Claim, 7 Drawing Sheets



(56)

References Cited

U.S. PATENT DOCUMENTS

2005/0236536 A1 10/2005 Fan
2005/0279902 A1 12/2005 Richter

* cited by examiner

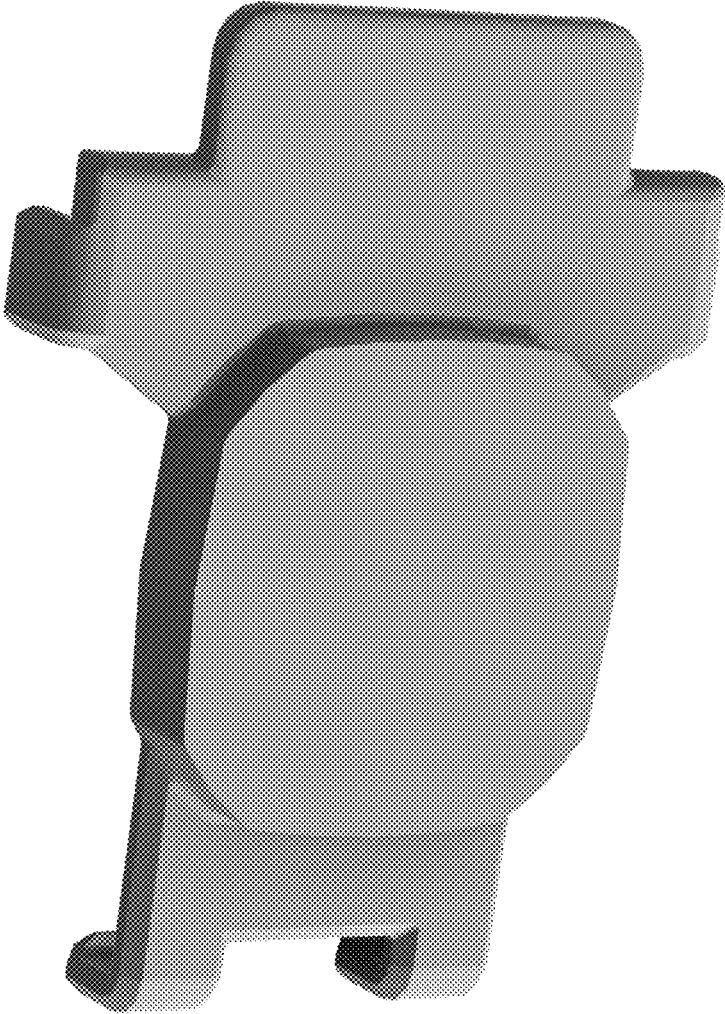


FIG. 1

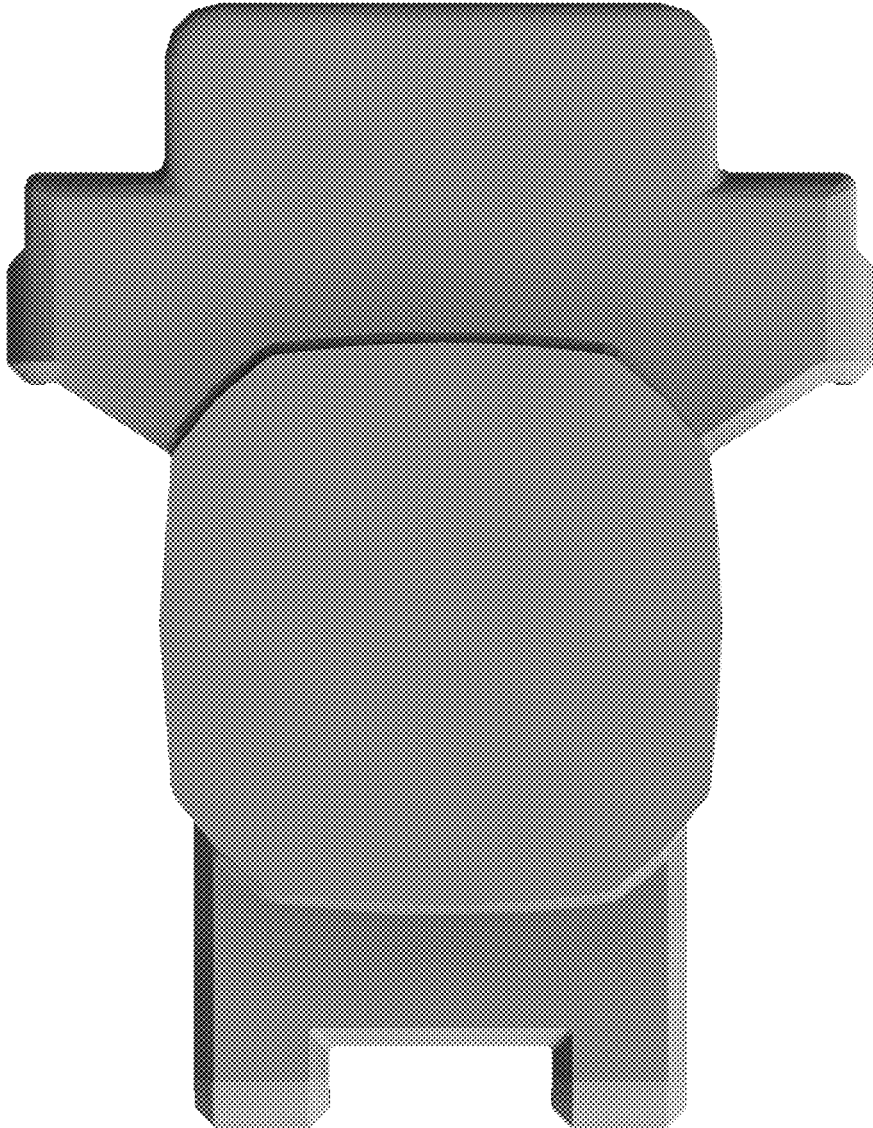


FIG. 2

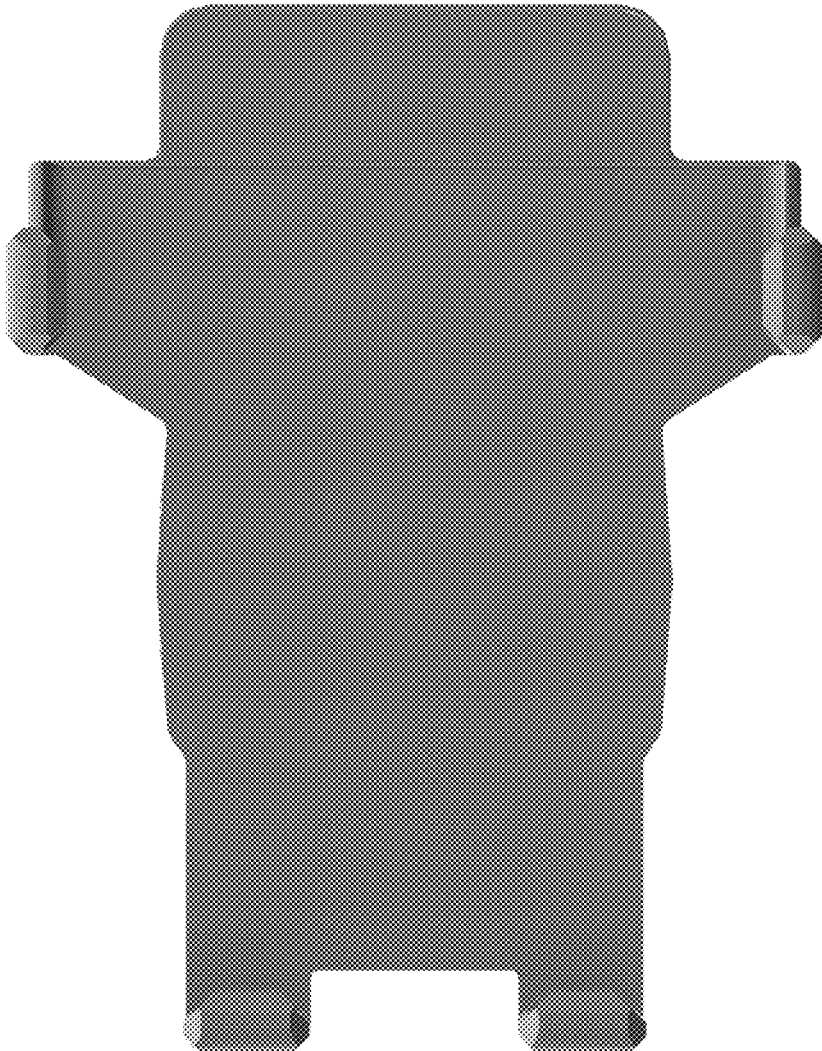


FIG. 3

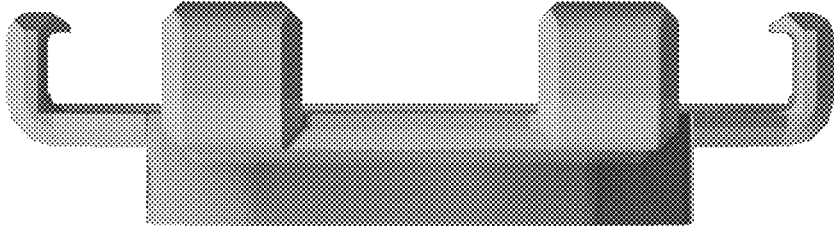


FIG. 4

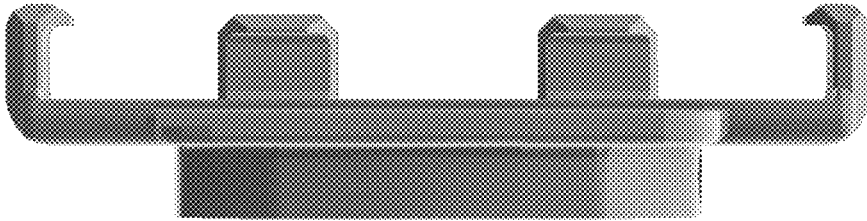


FIG. 5

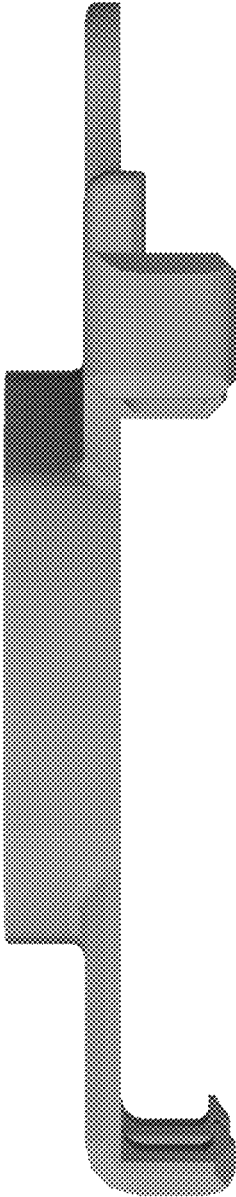


FIG. 6

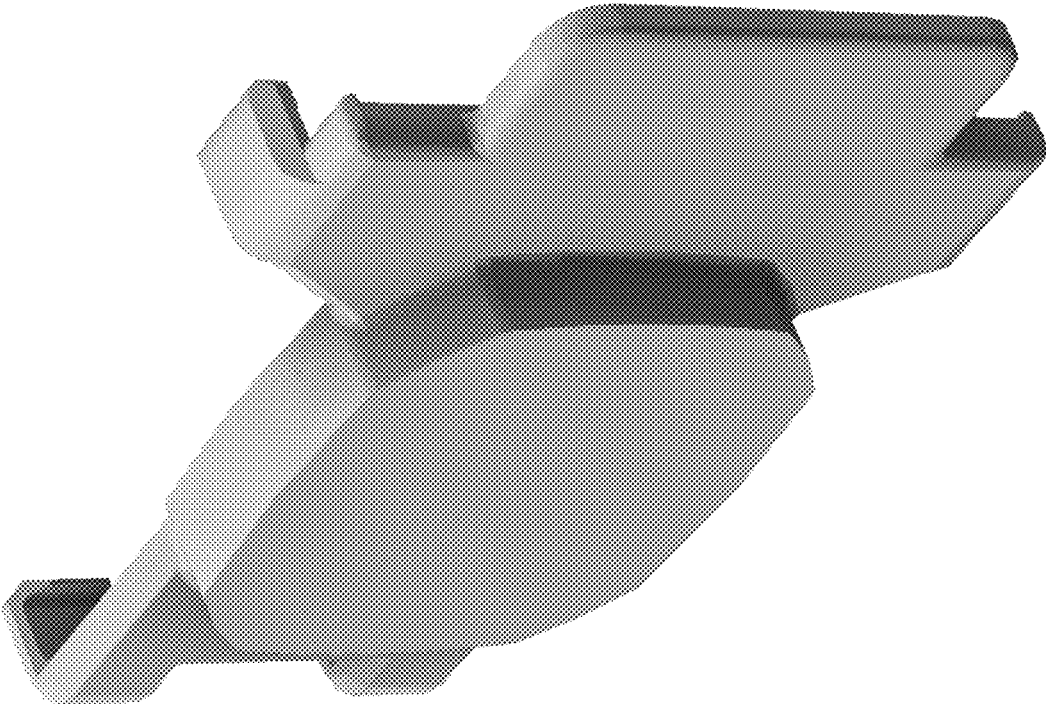


FIG. 7

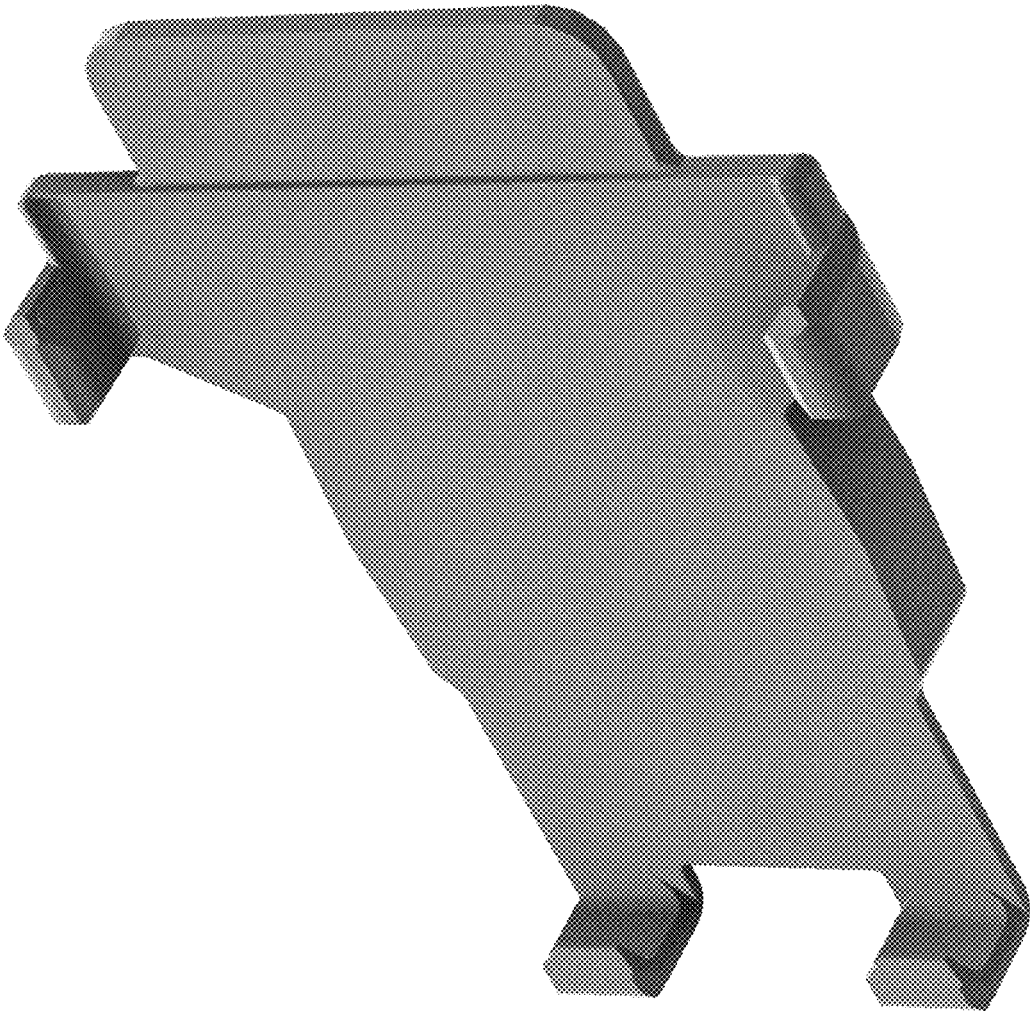


FIG. 8