



US00D968991S

(12) **United States Design Patent** (10) **Patent No.:** **US D968,991 S**
Kelsch et al. (45) **Date of Patent:** **** Nov. 8, 2022**

- (54) **NON-OBTRUSIVE ANTI-THEFT DEVICE FOR MERCHANDISE**
 - 10,378,248 B1 * 8/2019 Kelsch E05B 73/0017
 - D859,315 S 9/2019 Zhong
 - D923,451 S * 6/2021 Kelsch D8/330
- (71) Applicants: **Christopher A. Kelsch**, Palm Harbor, FL (US); **Vanguard Products Group, Inc.**, Oldsmar, FL (US)
 - 2010/0079285 A1 * 4/2010 Fawcett G08B 13/149
 - 2010/0108828 A1 * 5/2010 Yu 340/568.1
 - 2011/0255226 A1 10/2011 Duncan Seil et al. F16M 13/00
 - 2012/0037783 A1 * 2/2012 Alexander 248/123.11
 - 2012/0103863 A1 * 5/2012 Perez A47F 7/024
 - 2012/0175474 A1 7/2012 Barnard et al. E05B 73/0023
 - 2012/0312936 A1 * 12/2012 Huang 206/586
 - 2012/0175474 A1 7/2012 Barnard et al. F16M 13/00
 - 2012/0312936 A1 * 12/2012 Huang 248/122.1
 - 2014/0130554 A1 * 5/2014 Su E05B 73/0082
 - 70/15
- (72) Inventors: **Christopher A. Kelsch**, Palm Harbor, FL (US); **Wade Zhu**, Tampa, FL (US); **Lee Eckert**, Sarasota, FL (US)
- (73) Assignee: **Vanguard Products Group, Inc.**, Oldsmar, FL (US)
- (**) Term: **15 Years**

(Continued)

- (21) Appl. No.: **29/767,894**
 - (22) Filed: **Jan. 26, 2021**
 - (51) **LOC (13) Cl.** **10-05**
 - (52) **U.S. Cl.**
 - USPC **D10/106.9**; D10/106.1
 - (58) **Field of Classification Search**
 - USPC D10/106.1, 106.9, 106.92, 121; D8/382
 - CPC E05B 73/0017; E05B 73/0023; E05B 73/0082
- See application file for complete search history.

Primary Examiner — Sheryl Lane
Assistant Examiner — Ieisha N Price
(74) *Attorney, Agent, or Firm* — Andriy Lytvyn; Smith & Hopen, P.A.

(57) **CLAIM**

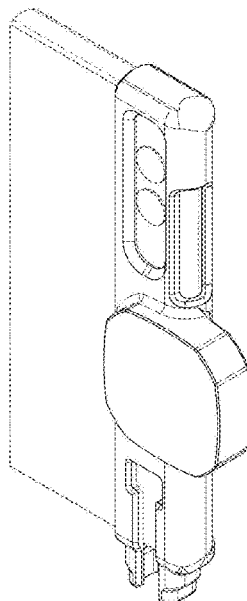
The ornamental design for a non-obtrusive anti-theft device for merchandise, as shown and described.

DESCRIPTION

FIG. 1 is a bottom, front, left perspective view of a non-obtrusive anti-theft device for merchandise showing the claimed design;
FIG. 2 is a front view thereof;
FIG. 3 is a bottom, back, right perspective view thereof;
FIG. 4 is a top, back, left perspective view thereof;
FIG. 5 is an enlarged top view thereof; and,
FIG. 6 is an enlarged bottom view thereof.
The broken line showing of merchandise depicts environmental structure and forms no part of the claimed design.

1 Claim, 5 Drawing Sheets

- (56) **References Cited**
 - U.S. PATENT DOCUMENTS
 - 5,988,572 A 11/1999 Chivallier et al.
 - D424,959 S * 5/2000 Hogan D10/106.1
 - D522,843 S 6/2006 Richter
 - D585,897 S 2/2009 Carnevali
 - D730,905 S 6/2015 Li
 - 9,105,166 B1 * 8/2015 Kelsch G08B 13/149
 - D780,762 S 3/2017 Ju
 - D831,665 S 10/2018 Yao et al.
 - 10,207,652 B2 * 2/2019 Yu F16M 13/00
 - 10,323,440 B1 * 6/2019 Kelsch E05B 73/0064



(56)

References Cited

U.S. PATENT DOCUMENTS

2014/0246551 A1* 9/2014 Springer F16M 11/2021
248/276.1
2014/0263931 A1* 9/2014 Chen F16M 13/00
248/576
2015/0060624 A1* 3/2015 Huang F16M 13/00
248/316.4
2015/0196140 A1* 7/2015 Lin A47F 7/0246
248/551
2015/0313026 A1* 10/2015 Yu F16M 11/041
248/285.1
2017/0049251 A1* 2/2017 Gulick, Jr. A47F 7/0246
2017/0264329 A1* 9/2017 Balmer F16B 2/12
2017/0328090 A1* 11/2017 Moock A47F 7/024
2020/0040614 A1* 2/2020 Kelsch E05B 73/0017
2020/0107653 A1* 4/2020 Leyden E05B 73/0082
2021/0040779 A1* 2/2021 Kelsch E05B 73/0023
2021/0228000 A1* 7/2021 Schuft A47F 7/0246

* cited by examiner

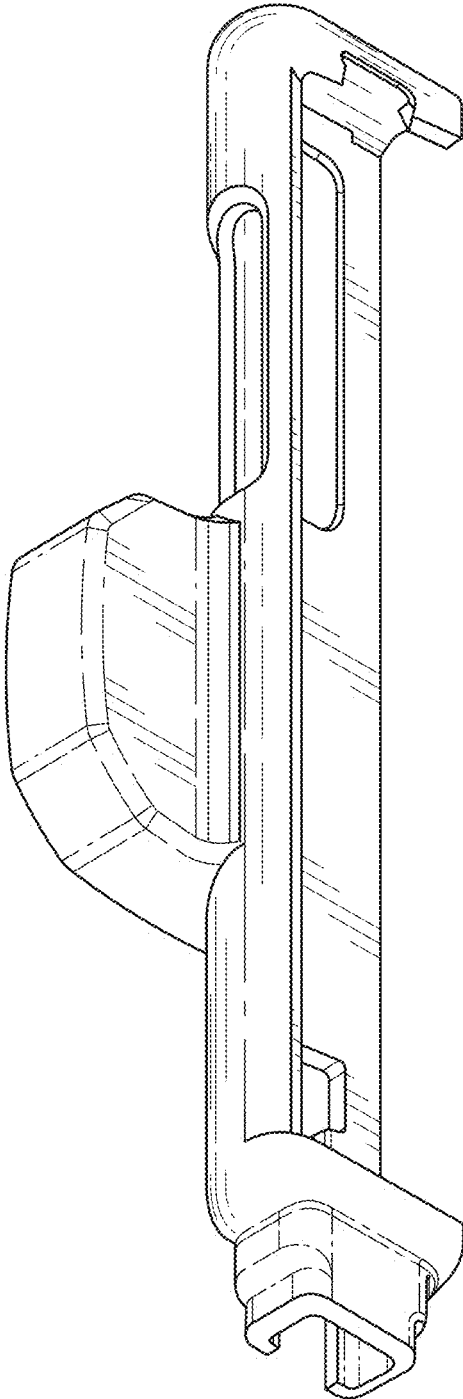


FIG. 1

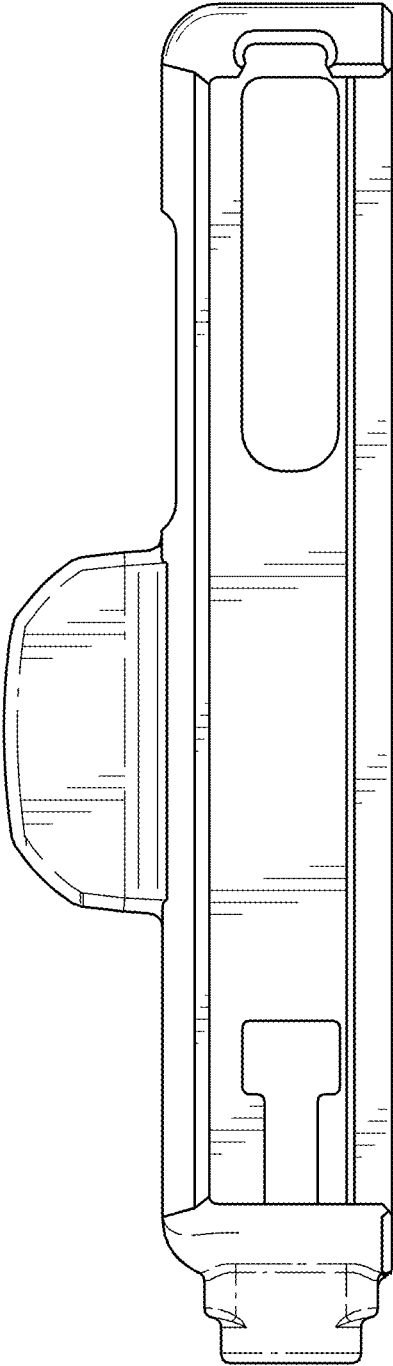


FIG. 2

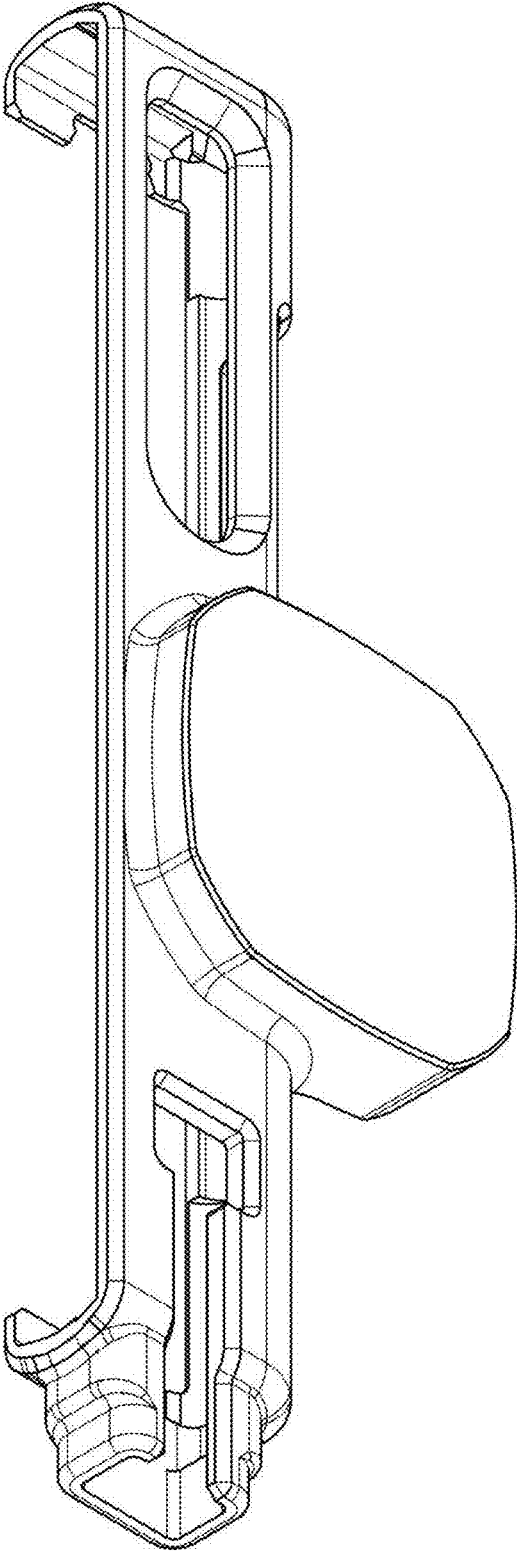


FIG. 3

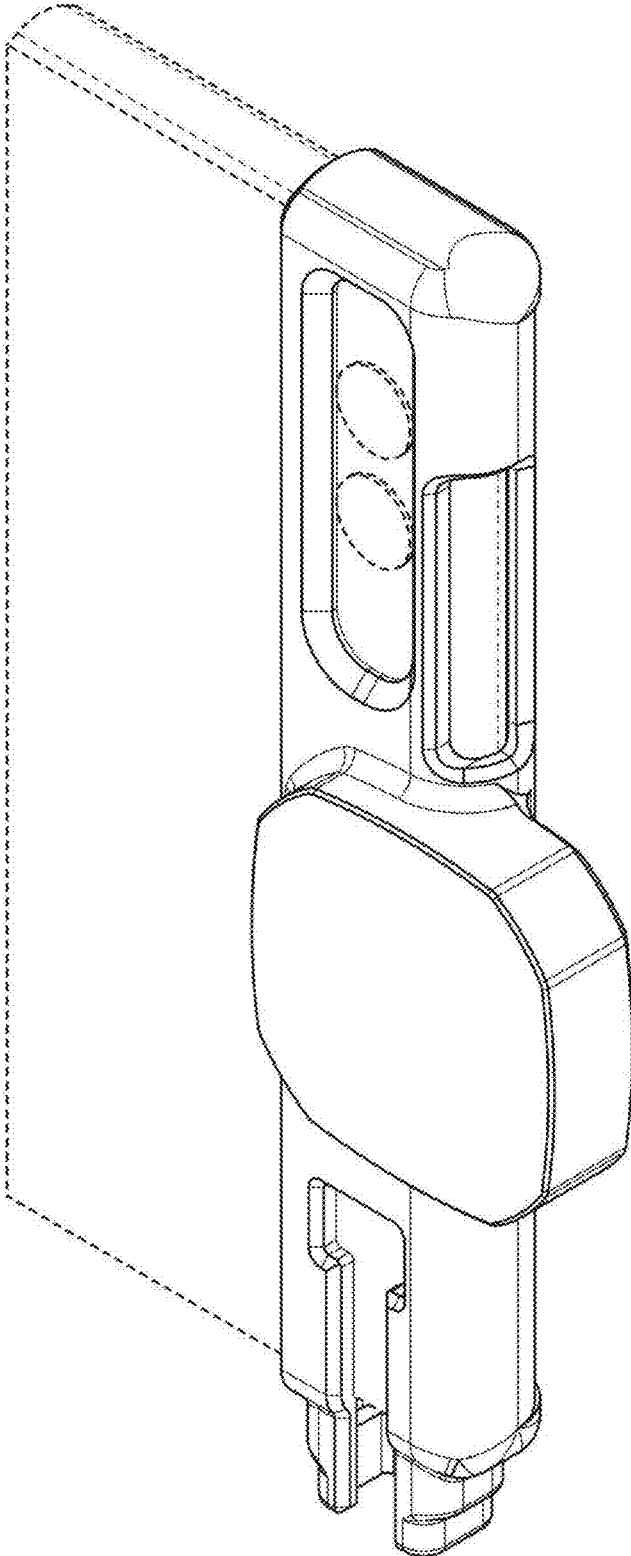


FIG. 4

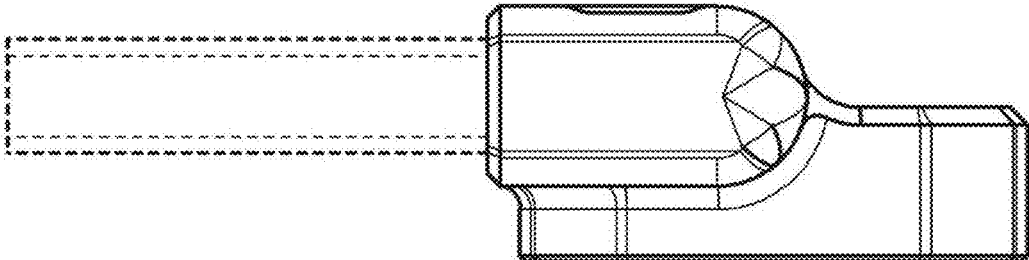


FIG. 5

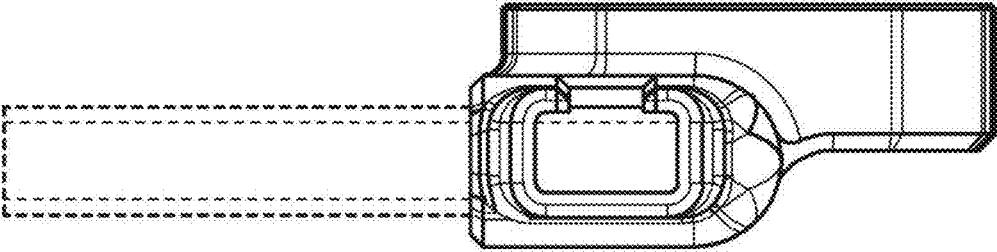


FIG. 6