



# ENCORE V2



## POWER PLUS PROTECTION X5.

Secure up to five devices at once! Did you say five? Yes, your eyes didn't deceive you. The EnCore v2 has five ports! It can secure various products, from the newest smart watches, to the hottest-selling electronics and accessories. With EnCore's new discreet design and the ability to choose from multiple sensor options, you can fit the EnCore v2 perfectly to your store's layout.



## Multi-Port Protection

Use the additional sensor ports to increase the user experience in the store. With 5-ports, you can secure a whole display with just the EnCore v2!

### Convenient Cross-Selling

Display complementary products next to each other! You have the ability to pair merchandise or brands that go together, such as securing a tablet, stylus, and keyboard all in one go.

### Low-profile Design

See the product, not the protection! The EnCore v2 is designed to blend into any store layout and let the devices speak for themselves.

## Power & Alarm

Equipped with a 5-volt power supply, the EnCore v2 can power and alarm the devices it is connected to.

### Back-up Battery

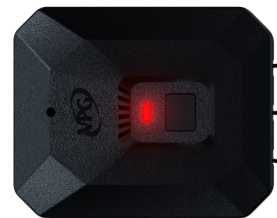
If there is a power surge, the back-up battery will automatically turn on. It will continue to alarm but WILL NOT power the devices. The battery life lasts for 3-5 days.

## SmartTime Keyfob

Arm and disarm the EnCore v2 remotely to give store associates touchless control. If Keyfobs are lost or stolen, you can simply reprogram the EnCore v2 to accept only the new security code.

### Time-Out Feature

For enhanced protection, a lost or stolen keyfob has the option of timing-out after a set duration and will need to be reset at the SmartTime Base Station to control the security again.





## 90+ dB Alarm

Protect your accessories with our state-of-the-art compact alarm system.

The 5-ports are compatible with all VPG alarming sensors. The ultrafast alarm will trigger whenever the merchandise is removed from the sensor.

## Easy Installation

Simple and quick steps to install and remerchandise the EnCore v2.

Installing is as simple as plugging in the sensor to the EnCore v2 and the product, then inserting in the power supply. Choose where you want the EnCore v2 to go and adhere it to the surface.

### Mounting Security

If you want a more secure EnCore v2, in the installation process, you have the option to screw the security down to the display fixture.

## Diverse Sensor Options

A variety of sensors are available for wearables, electronics, and accessories.

The sensors are designed to be as discreet as the EnCore v2, letting the merchandise be eye-catching to attract customer engagement.

### IR Extender

For better convenience, install the IR extender!

If the EnCore v2 gets tucked away in a tight area, use the extender to easily access the receiver so you can arm or disarm the alarm. Similar to the EnCore v2, the IR extender can get installed above or below the counter.



## Security Sensor Options



QD  
Sensor

X-Sensor

Micro USB  
PAS Sensor

USB-C PAS  
Sensor

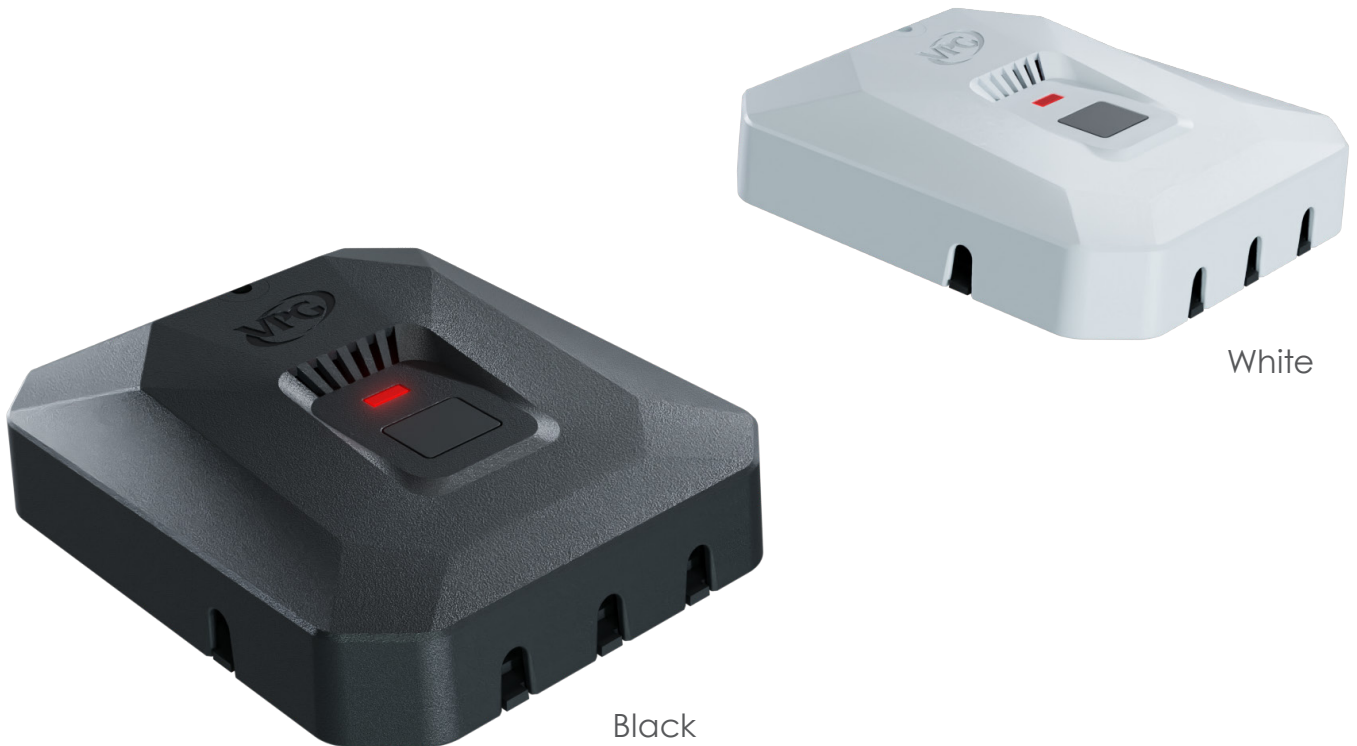
Micro  
Sensor

Slim Wearable  
Sensor

Cable Security  
Sensor

Dual PAS  
Sensor

## Color Options



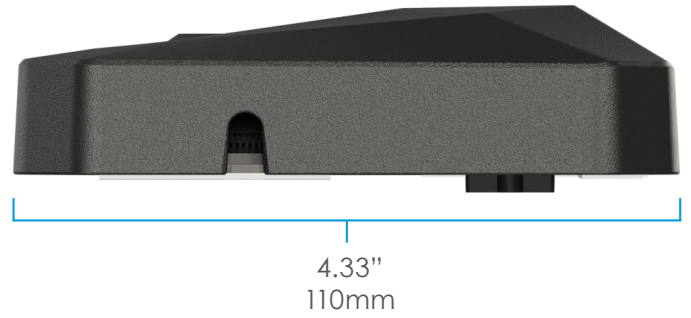
Black

White

## Top



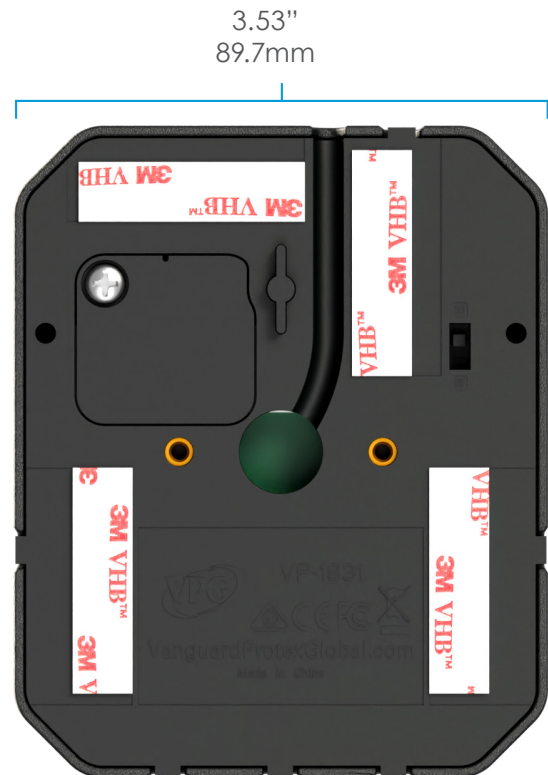
## Side



## Front



## Bottom



# ENCORE v2 | PARTS LIST

Part Number	Description
<b>Alarm</b>	
VP-1831#	EnCore v2/ SEC Module
<b>Kits</b>	
K-1106	Universal Mounting Ring Mount Kit
<b>Security Sensors</b>	
VP-1350#	X-Sensor Security Sensor
VP-1598#	Micro Security Sensor
VP-1549#	Quick Disconnect Security Sensor
VP-1365#	Oval Security Sensor
VP-1439#	USB-C Power & Alarm Security Sensor
VP-1349	Micro USB Power & Alarm Security Sensor
VP-1633	Dual Power & Alarm Security Sensor (X-Sensor & USB-C PAS)
VP-1626	Slim Wearable Security Sensor
VP-1344#	Cable Security Sensor
KF-1102	IR Receiver Dome
<b>Power Supply</b>	
V-39	5.1V Power Supply - Domestic (U.S.)
V-39x	5.1V Power Supply - International
<b>Tools and Accessories</b>	
V-T900	Security Driver (1/8")
V-900-T	Security Allen Wrench (1/8")
KF-1107	SmartTime Key Fob
VP-1692	SmartTime Key Base Station
K-SUP/KFDOCK	Supply Kit For Key Fob Dock
<b>Stand</b>	
VP-1148	Arch Tablet Stand
<b>Replacement Parts</b>	
8102-8001-00#	EnCore v2 Outer Cover
AD-308	EnCore v2 Adhesive
AD-308-10	EnCore v2 Adhesive - 10 Pack

# = Color variation placeholder. Remove # for black option OR substitute in W for white option.