



US00D993949S

(12) **United States Design Patent** (10) **Patent No.:** **US D993,949 S**
Kelsch et al. (45) **Date of Patent:** **** Aug. 1, 2023**

(54) **SECURITY BRACKET FOR A FOLDABLE ELECTRONIC GADGET**

FOREIGN PATENT DOCUMENTS

KR 301124932.0000 * 8/2021

(71) Applicants: **Christopher A. Kelsch**, Palm Harbor, FL (US); **Vanguard Products Group, Inc.**, Oldsmar, FL (US)

OTHER PUBLICATIONS

Experience the Samsung ZFlip & ZFold!, Aug. 19, 2021 [online], retrieved Feb. 23, 2023, retrieved from the internet URL: < https://www.vanguardproteglobal.com/experience-the-samsung-zflip-zfold/> (Year: 2021).*

(72) Inventors: **Christopher A. Kelsch**, Palm Harbor, FL (US); **Wade Zhu**, Tampa, FL (US)

(Continued)

(73) Assignee: **Vanguard Products Group, Inc.**, Oldsmar, FL (US)

Primary Examiner — Janice Hallmark

Assistant Examiner — Rodolfo Castro, Jr.

(**) Term: **15 Years**

(74) *Attorney, Agent, or Firm* — Andriy Lytvyn; Hill Ward Henderson, P.A.

(21) Appl. No.: **29/863,016**

(22) Filed: **Dec. 14, 2022**

(57) **CLAIM**

The ornamental design for a security bracket for a foldable electronic gadget, as shown and described.

(51) **LOC (14) Cl.** **14-03**

(52) **U.S. Cl.**
USPC **D14/253**; D14/447

DESCRIPTION

(58) **Field of Classification Search**
USPC D16/240, 242–244; D14/217, 250–253, D14/440, 452, 447; D12/415; D13/108; D6/449, 635, 672
CPC F16M 13/00; F16M 2200/00; A45C 2011/002; A45C 2011/003; G08B 13/1409; A47B 2023/049; A47B 2097/005; A47B 2097/006
See application file for complete search history.

FIG. 1 is a perspective front view of a security bracket for a foldable electronic gadget showing the claimed design; FIG. 2 is a perspective back view thereof; FIG. 3 is a front view thereof; FIG. 4 is a back view thereof; FIG. 5 is a right view thereof; FIG. 6 is a left view thereof; FIG. 7 is a top view thereof; FIG. 8 is a bottom view thereof; and, FIG. 9 is a perspective back view thereof depicting an exemplary foldable electronic gadget secured therein. The broken lines illustrate portions of the security bracket for a foldable electronic gadget that form no part of the claimed design. Additional broken lines showing a foldable electronic gadget in FIG. 9 illustrate environmental subject matter and form no part of the claimed design.

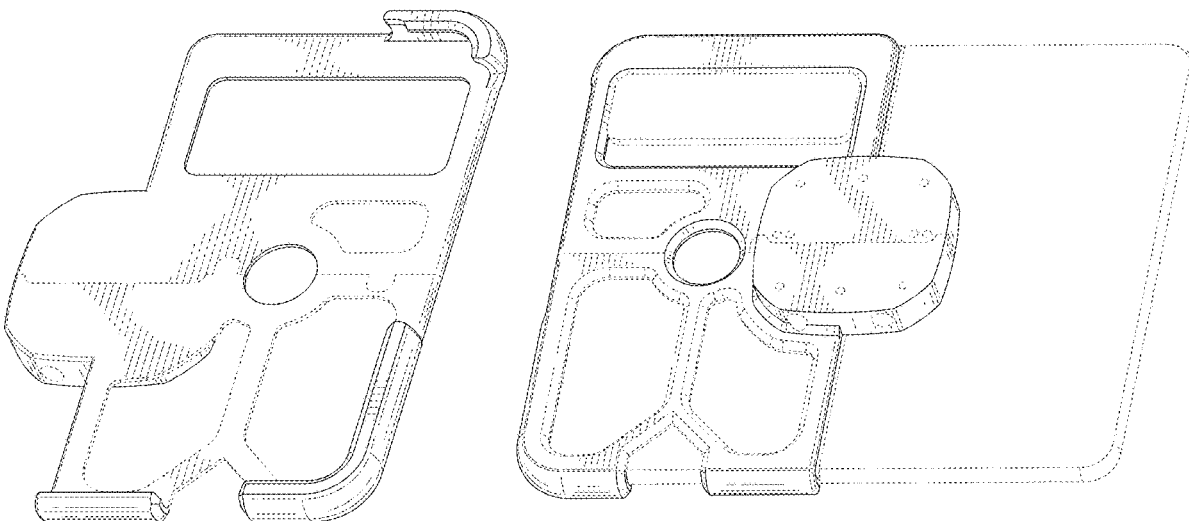
(56) **References Cited**

U.S. PATENT DOCUMENTS

D111,903 S 10/1938 Heller
D552,449 S 10/2007 Kotze et al.
D609,075 S 2/2010 Remark
D688,253 S 8/2013 Choa et al.
D689,502 S * 9/2013 Belitz D14/447
D692,440 S 10/2013 Tsai

(Continued)

1 Claim, 7 Drawing Sheets



(56)

References Cited

U.S. PATENT DOCUMENTS

D717,804 S 11/2014 Budge
 D732,545 S 6/2015 Apter
 9,169,670 B2 10/2015 Shute et al.
 D750,612 S 3/2016 Chen
 D759,001 S 6/2016 Behar
 D759,005 S 6/2016 Murakami
 D764,451 S * 8/2016 Hung D14/250
 D772,217 S 11/2016 Alesi et al.
 D772,218 S 11/2016 Alesi et al.
 D773,449 S 12/2016 Mellano et al.
 D777,167 S 1/2017 Wengreen
 D778,283 S 2/2017 Tsai
 D780,168 S 2/2017 Du
 D795,265 S 2/2017 Li
 D798,305 S 9/2017 Wengreen
 D798,306 S 9/2017 Wengreen
 9,797,543 B2 10/2017 Lin
 D822,379 S 7/2018 Li
 D831,660 S 10/2018 Yao et al.
 10,118,565 B2 11/2018 Kim
 D839,867 S 2/2019 Zhao
 D840,994 S 2/2019 Balmer

D840,995 S 2/2019 Balmer
 10,323,440 B1 6/2019 Kelsch et al.
 D854,537 S 7/2019 Ackeret et al.
 D856,321 S * 8/2019 Khalsa D14/447
 D860,915 S 9/2019 Tang
 D861,333 S 10/2019 Feng
 D868,048 S * 11/2019 Kepniss D14/238.1
 D889,819 S * 7/2020 Feng D14/447
 10,750,885 B2 8/2020 Hyma et al.
 D923,451 S * 6/2021 Kelsch D8/330
 D935,463 S 11/2021 Wang
 D963,657 S * 9/2022 Kelsch D14/447
 2015/0201723 A1 7/2015 Rayner et al.

OTHER PUBLICATIONS

Install One Stand Defeat Any Phone Theft In Store!, date not known [online], retrieved Feb. 23, 2023, retrieved from the internet URL: <<https://www.alien-security.com/mobile-phone-security-display-stand-mas1008-2/>> (Year: 2023).*
 Experience the Titan, date not known [online], retrieved Feb. 23, 2023, retrieved from the internet URL: < <https://www.vanguardprotexglobal.com/titan/>> (Year: 2023).*

* cited by examiner

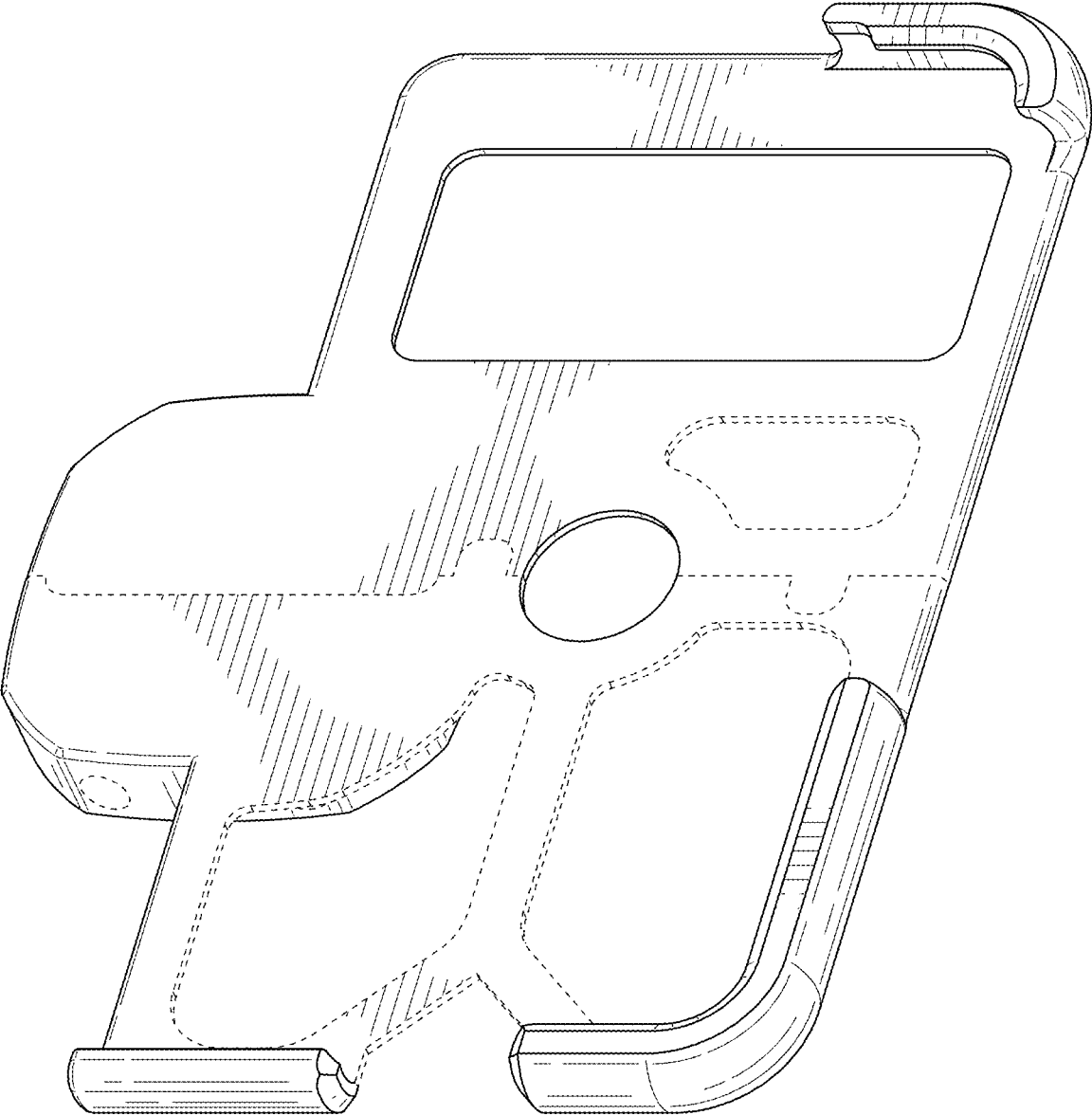


FIG. 1

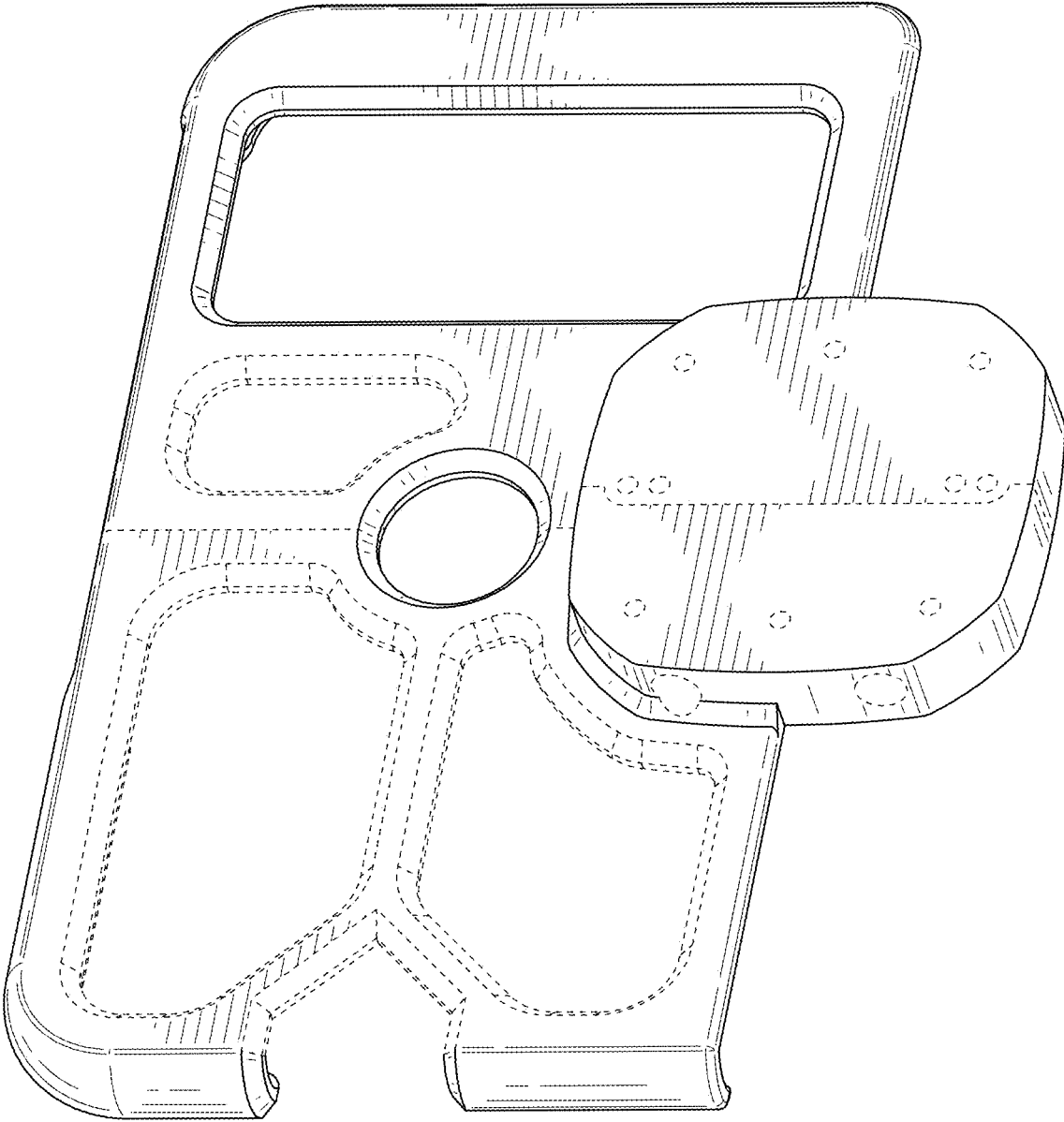


FIG. 2

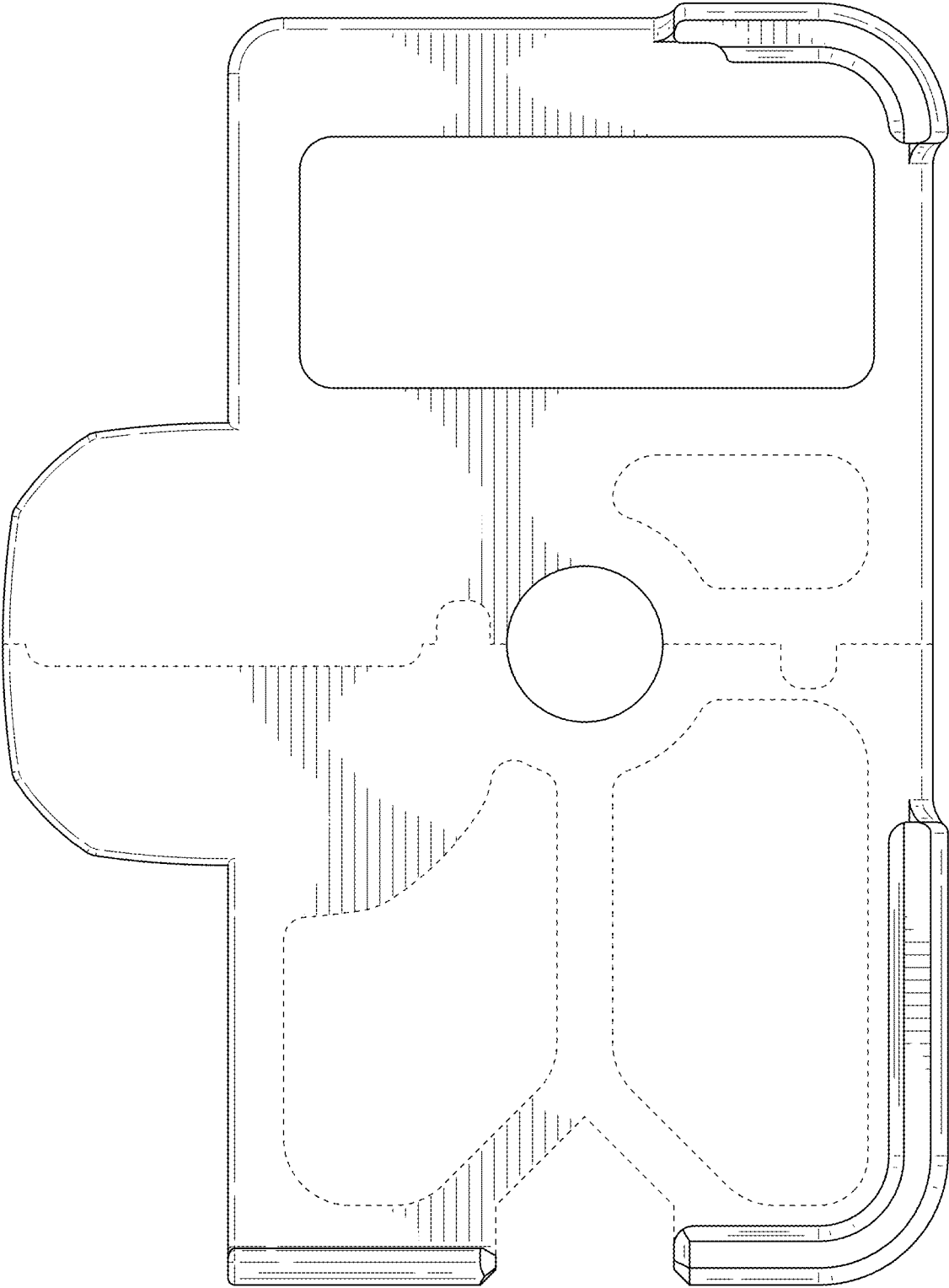


FIG. 3

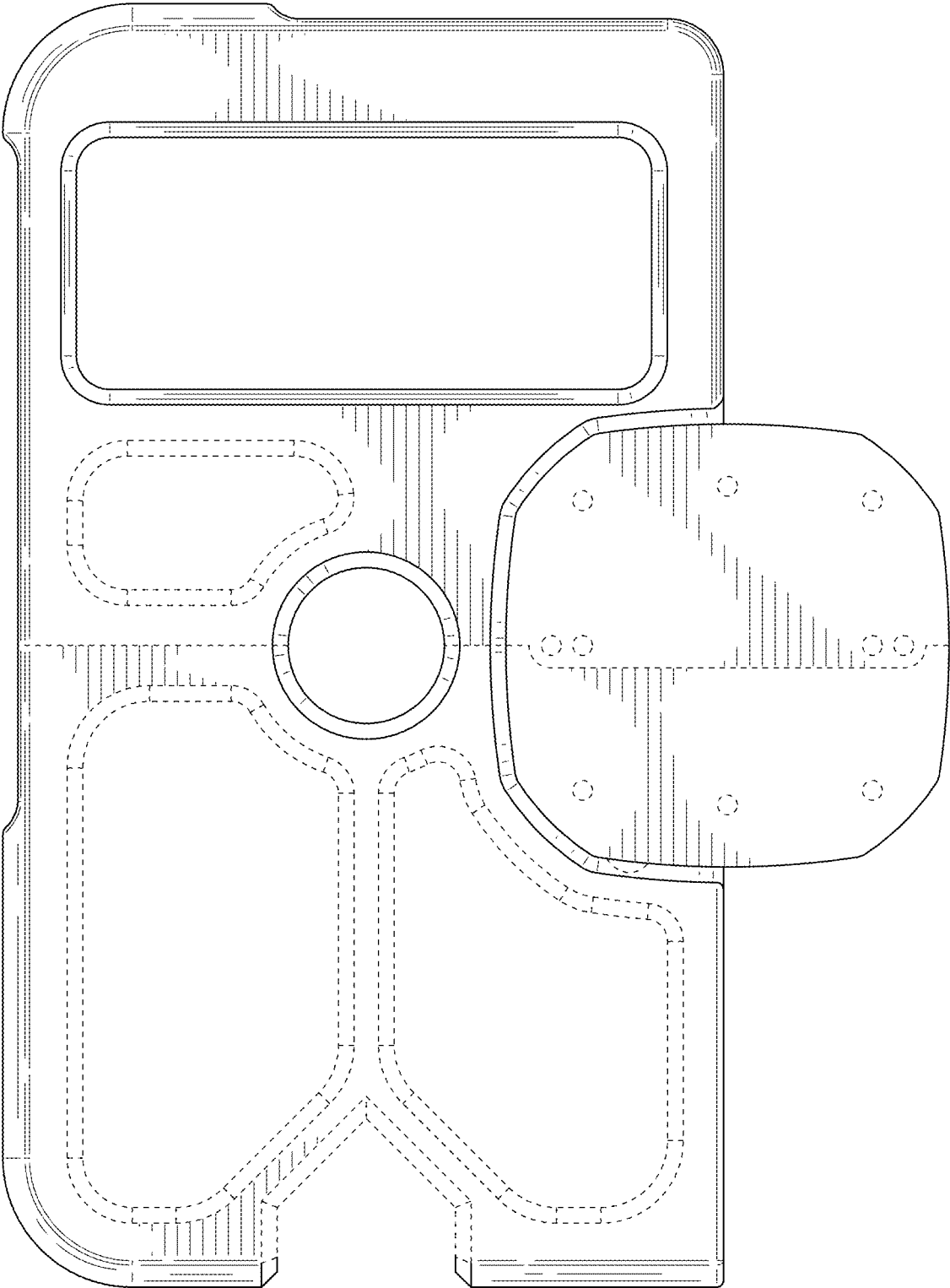


FIG. 4

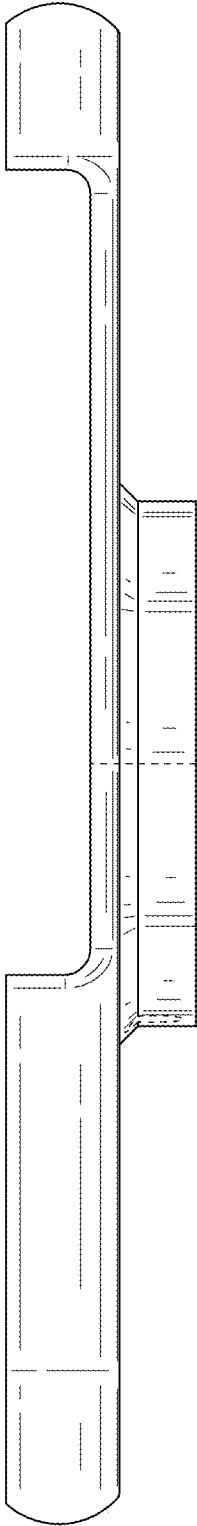


FIG. 5

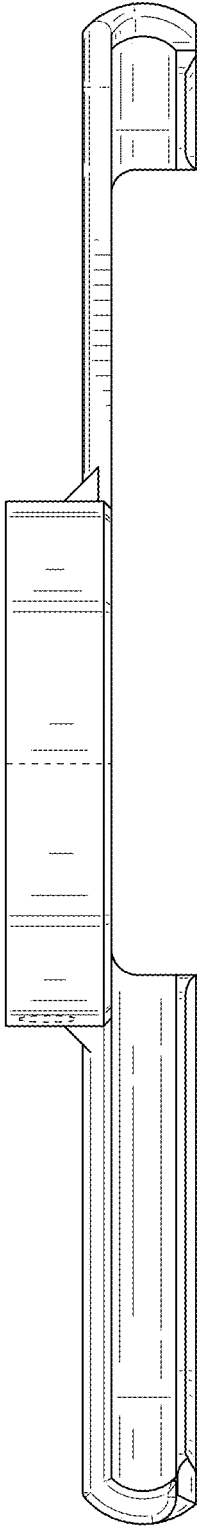


FIG. 6

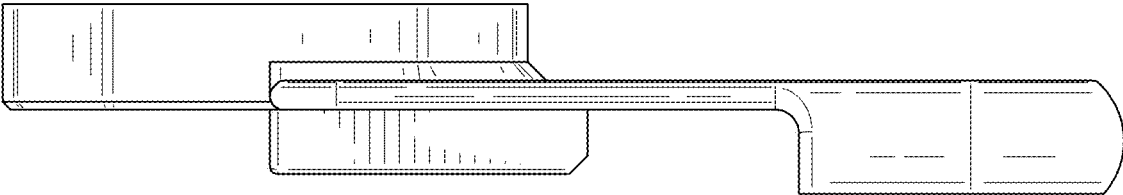


FIG. 7

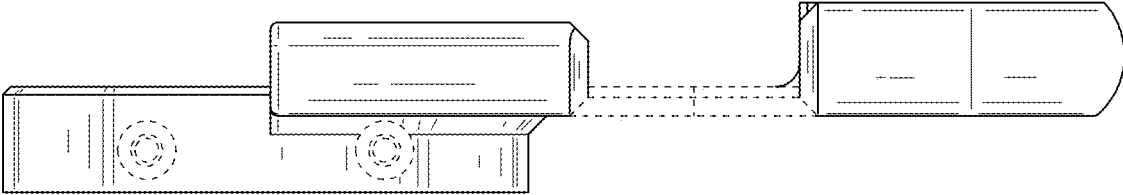


FIG. 8

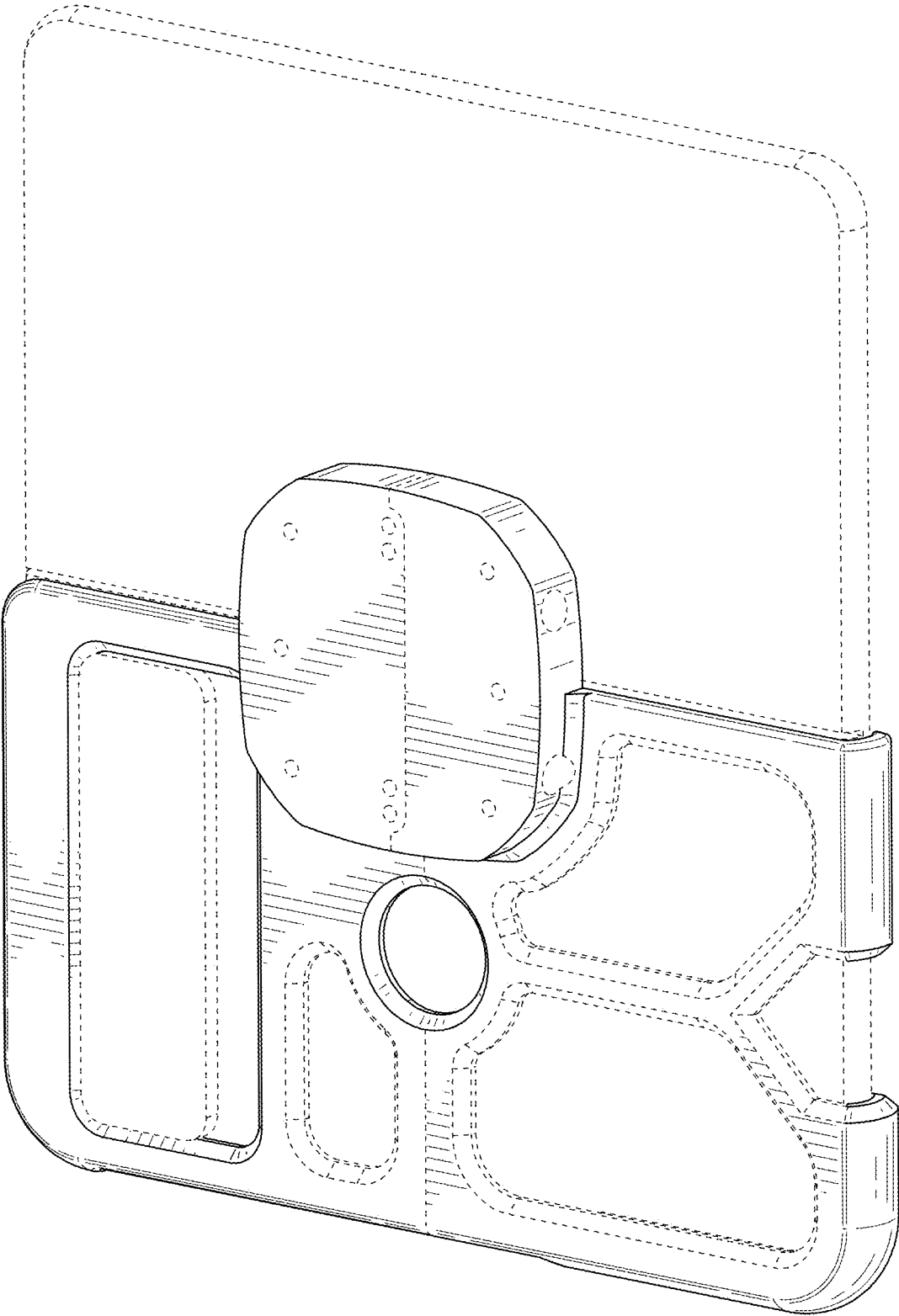


FIG. 9