



US0D1006804S

(12) **United States Design Patent** (10) **Patent No.:** **US D1,006,804 S**
Kelsch et al. (45) **Date of Patent:** **** Dec. 5, 2023**

(54) **ANTI-THEFT BRACKET FOR A FLIP SMARTPHONE**

D723,042 S 2/2015 Kyu Seop et al.
D752,571 S 3/2016 Richter
D757,549 S * 5/2016 Kuo D9/432
D772,218 S 11/2016 Alesi et al.

(Continued)

(71) Applicants: **Christopher A. Kelsch**, Palm Harbor, FL (US); **Vanguard Products Group, Inc.**, Oldsmar, FL (US)

FOREIGN PATENT DOCUMENTS

(72) Inventors: **Christopher A. Kelsch**, Palm Harbor, FL (US); **Lee Eckert**, Sarasota, FL (US); **Wade Zhu**, Land O' Lakes, FL (US)

EM 002687376-0010 * 7/2015
WO WO D203833-001 * 11/2019

OTHER PUBLICATIONS

(73) Assignee: **Vanguard Products Group, Inc.**, Oldsmar, FL (US)

Alien Security, date not known, retrieved Sep. 13, 2023, retrieved from the internet URL: < <https://alien-security.com/retail-security/security-display/anti-theft-phone-holder/> > (Year: 2023).*

(**) Term: **15 Years**

(Continued)

(21) Appl. No.: **29/880,205**

Primary Examiner — Janice Hallmark

(22) Filed: **Jul. 19, 2023**

Assistant Examiner — Rodolfo Castro, Jr.

(51) **LOC (14) Cl.** **14-03**

(74) *Attorney, Agent, or Firm* — Andriy Lytvyn; Hill Ward Henderson, P.A.

(52) **U.S. Cl.**

USPC **D14/253**

(58) **Field of Classification Search**

USPC D14/217, 250–253, 440, 447; D3/218

CPC F16M 13/00; F16M 2200/00; A45C

2011/002; A45C 2011/003; A45C 1/06;

H04M 1/04

See application file for complete search history.

(57) **CLAIM**

The ornamental design for an anti-theft bracket for a flip smartphone, as shown and described.

DESCRIPTION

FIG. 1 is a perspective back view of an anti-theft bracket for a flip smartphone showing the claimed design;

FIG. 2 is a perspective front view thereof;

FIG. 3 is a back view thereof;

FIG. 4 is a front view thereof;

FIG. 5 is a left view thereof;

FIG. 6 is a right view thereof;

FIG. 7 is a top view thereof; and,

FIG. 8 is a bottom view thereof.

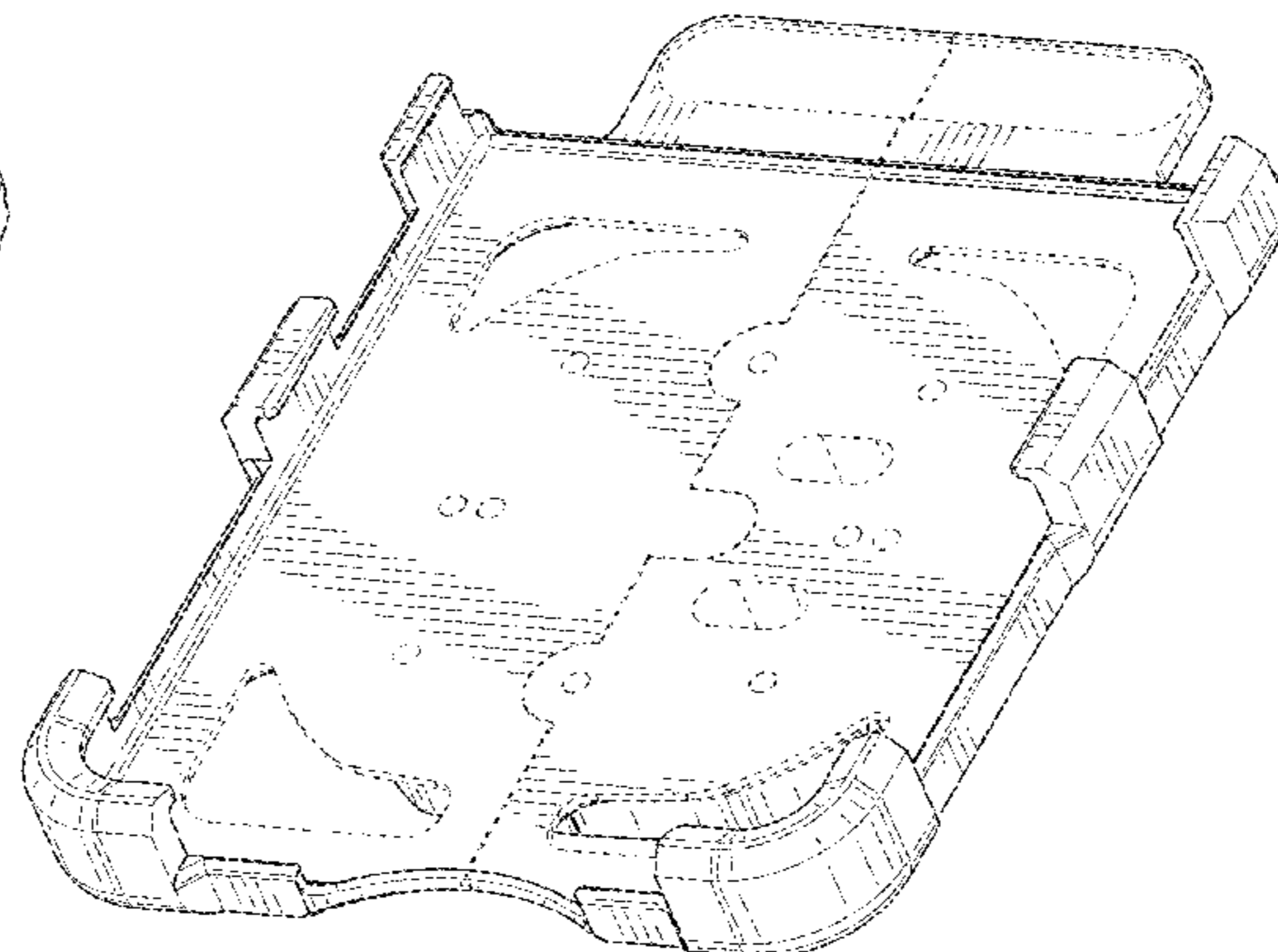
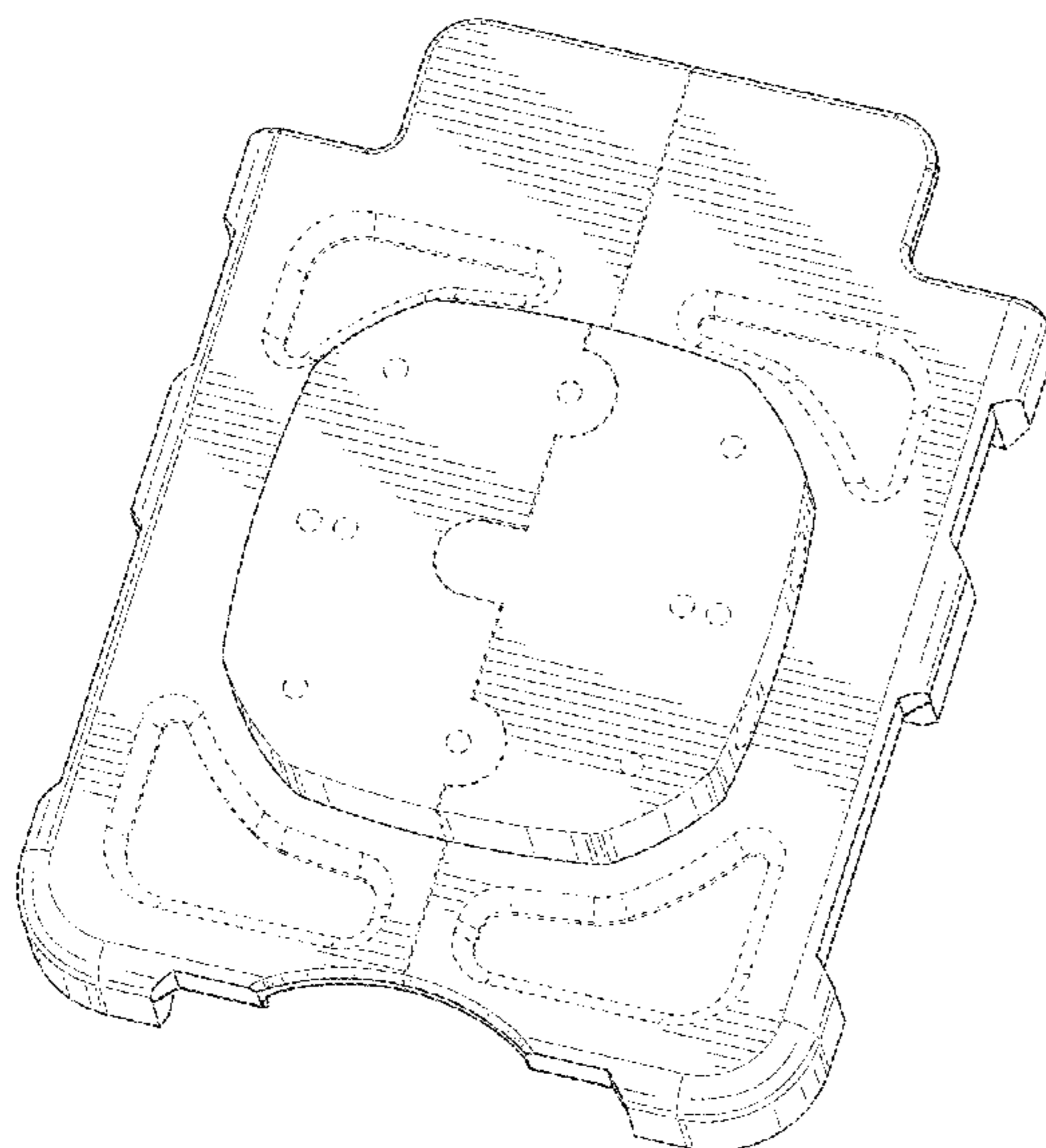
The broken lines illustrate portions of the anti-theft bracket for a flip smartphone that form no part of the claimed design.

(56) **References Cited**

U.S. PATENT DOCUMENTS

5,457,745 A	10/1995	Wang	
D390,849 S	2/1998	Richter et al.	
D411,542 S	6/1999	Richter	
D456,024 S	4/2002	Richter	
D529,905 S	10/2006	Richter	
D566,118 S	4/2008	Brassard	
D685,379 S	7/2013	Richter	
D685,804 S	7/2013	Richter	
D689,502 S *	9/2013	Belitz D14/447
D693,352 S	11/2013	Gelsomini et al.	

1 Claim, 6 Drawing Sheets



(56)

References Cited

U.S. PATENT DOCUMENTS

D773,465	S	*	12/2016	Palmer	D14/434
D786,882	S		5/2017	Sungjik		
9,972,178	B2		5/2018	Richardson et al.		
D825,576	S	*	8/2018	Krupa	D14/447
D832,248	S		10/2018	Sukphist et al.		
D859,393	S		9/2019	Dang et al.		
D868,048	S	*	11/2019	Kepniss	D14/238.1
D877,688	S		3/2020	Liu		
D889,819	S	*	7/2020	Feng	D14/447
D890,740	S		7/2020	Khubani et al.		
D892,787	S		8/2020	Chen		
D896,177	S		9/2020	Zheng		
D900,087	S		10/2020	Leeds-Frank et al.		
D907,029	S		1/2021	Khubani et al.		
D923,451	S		6/2021	Kelsch et al.		
D927,495	S		8/2021	Kelsch et al.		
D991,244	S	*	7/2023	Li	D14/447
D993,949	S	*	8/2023	Kelsch	D14/447
2005/0236536	A1		10/2005	Fan		
2005/0279902	A1		12/2005	Richter		

OTHER PUBLICATIONS

Pro Clip, date not known, retrieved Sep. 13, 2023, retrieved from the internet URL: < <https://www.proclipusa.com/products/galaxy-z-fold3-spring-loaded-charging-holder-for-cig-plug?> > (Year: 2023).*
 Photographs: Front and back view of Vanguard Products Group, Inc's. Anti-theft bracket for a flip smartphone.
 Photographs: Front and back view of Vanguard Products Group, Inc's. Anti-theft bracket for a foldable smartphone.

* cited by examiner

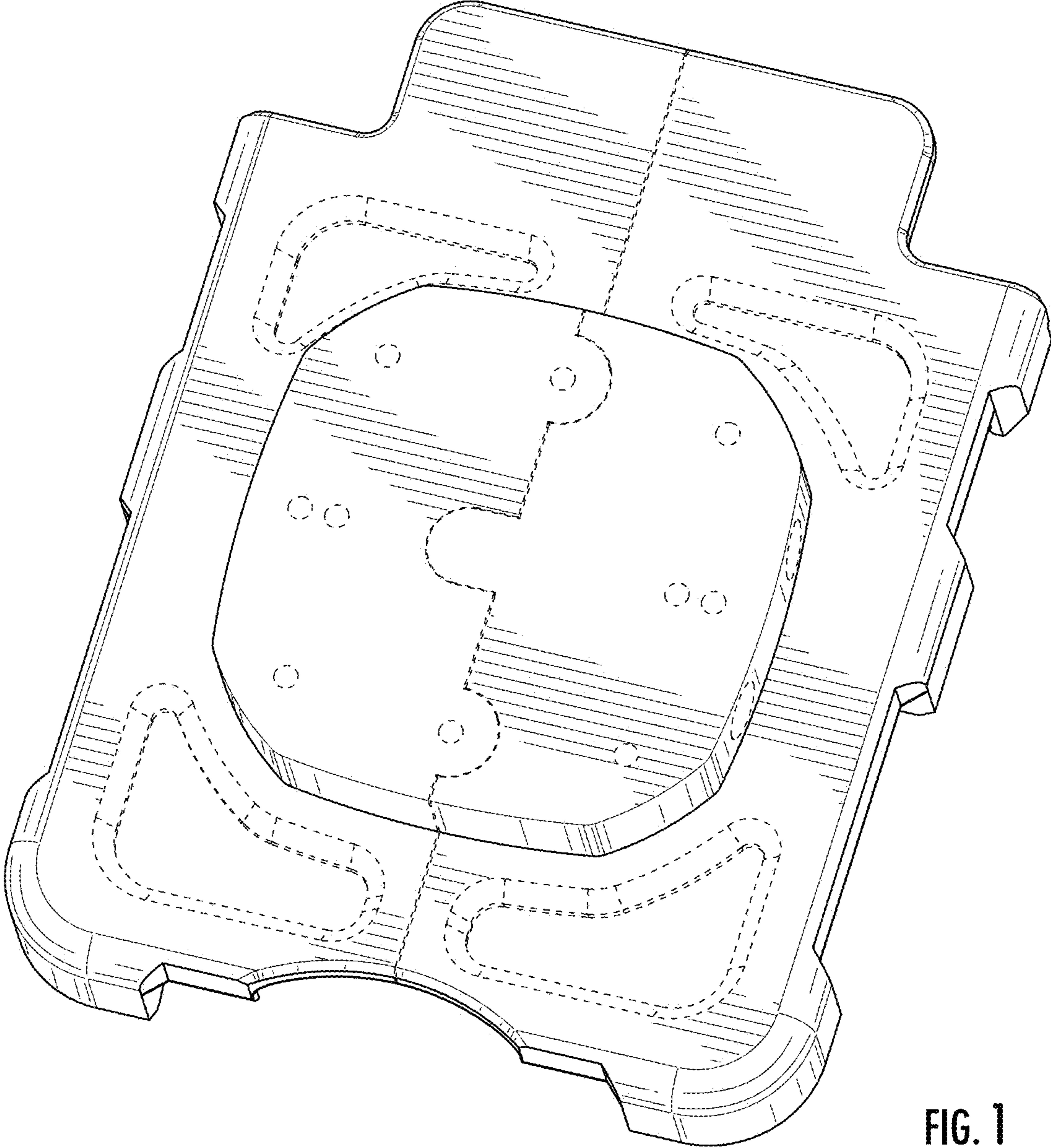


FIG. 1

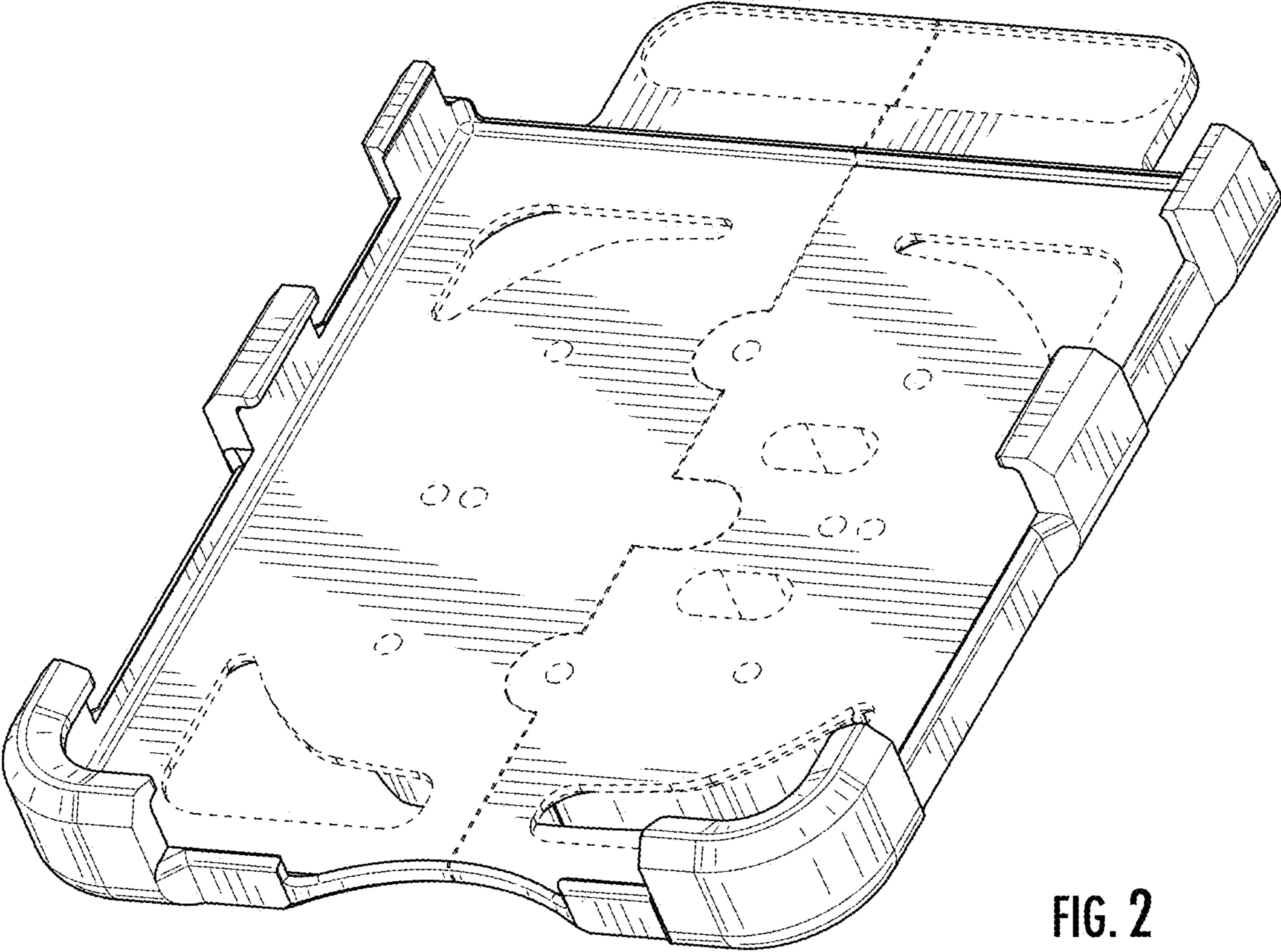


FIG. 2

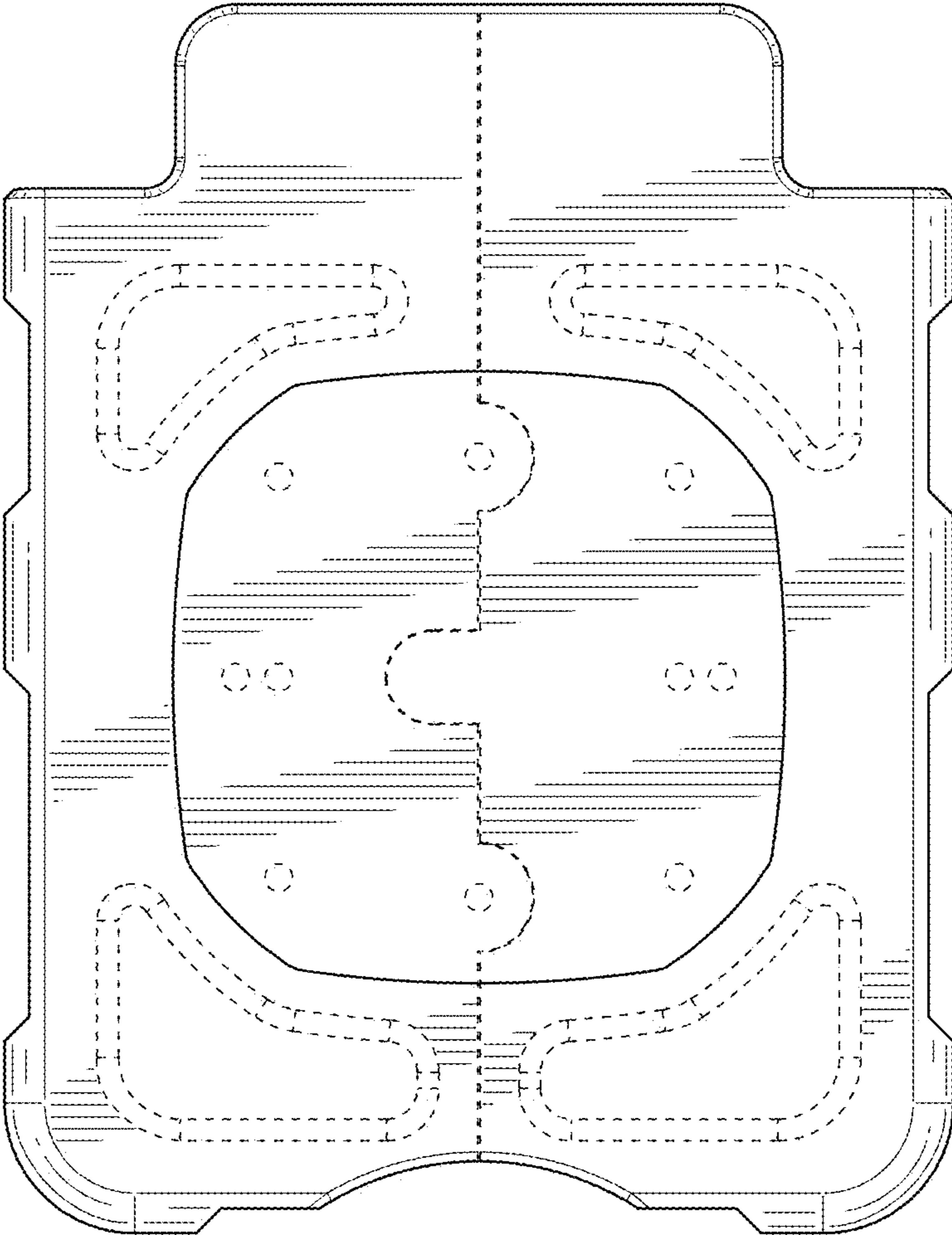


FIG. 3

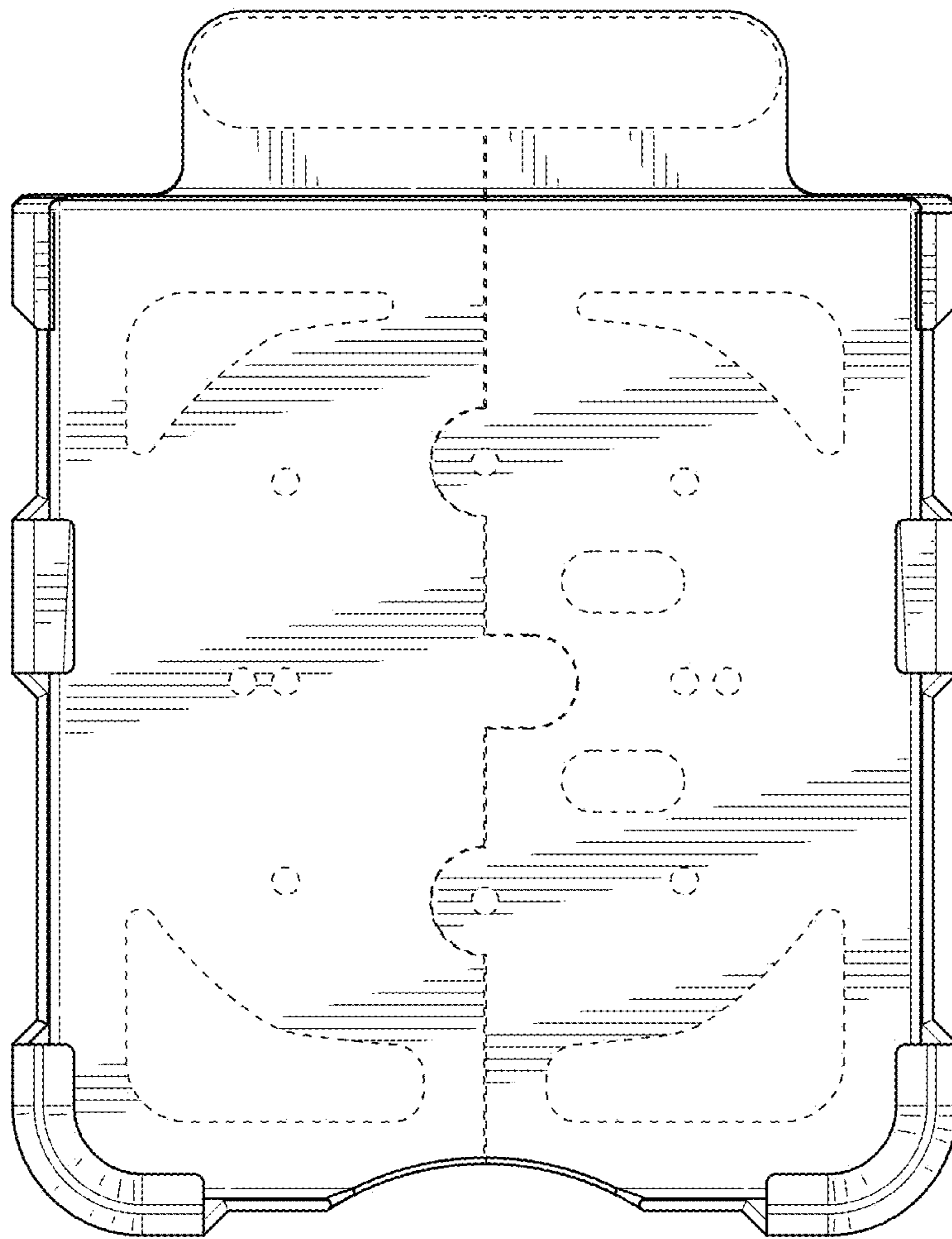


FIG. 4

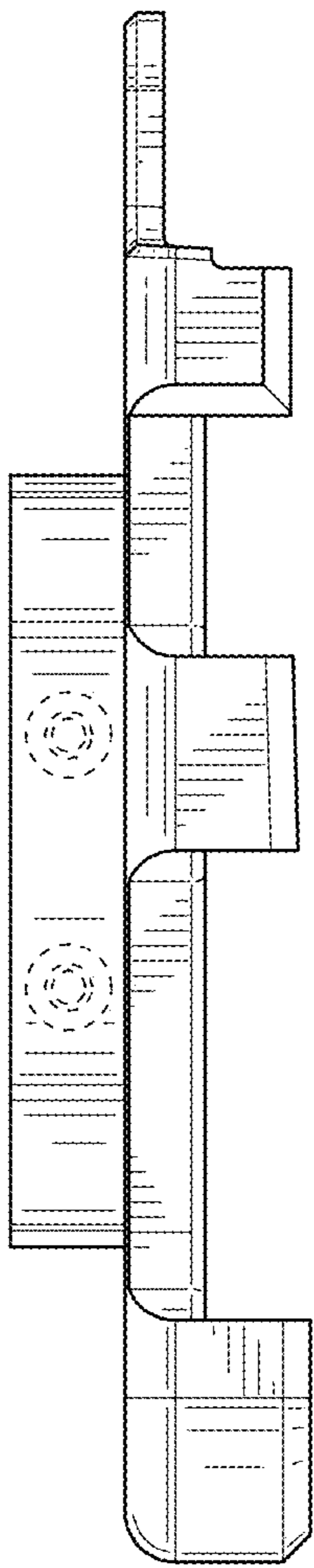


FIG. 5

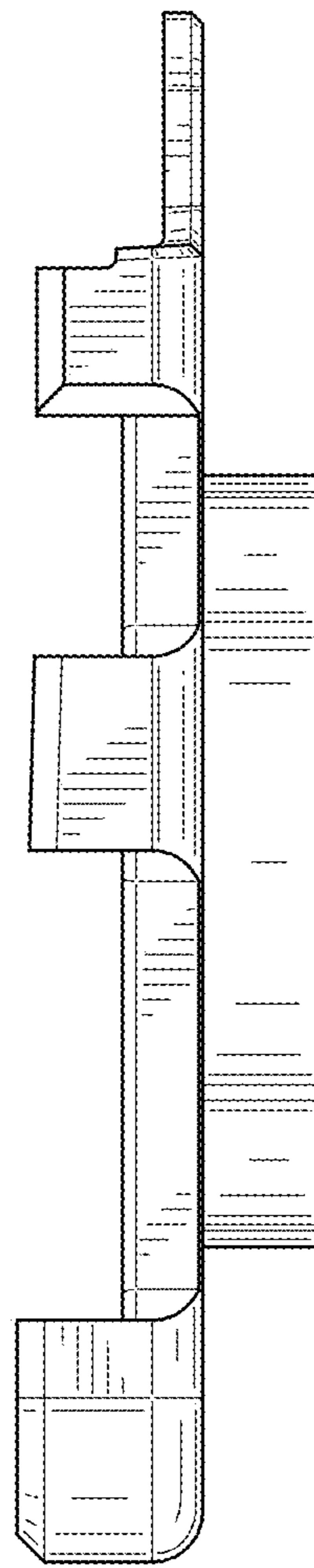


FIG. 6

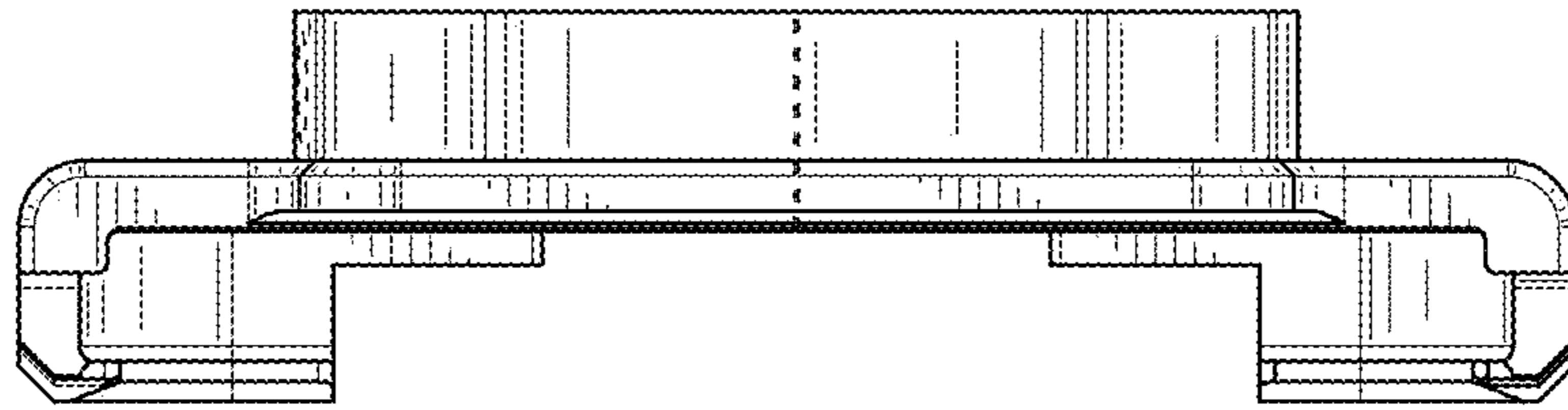


FIG. 7

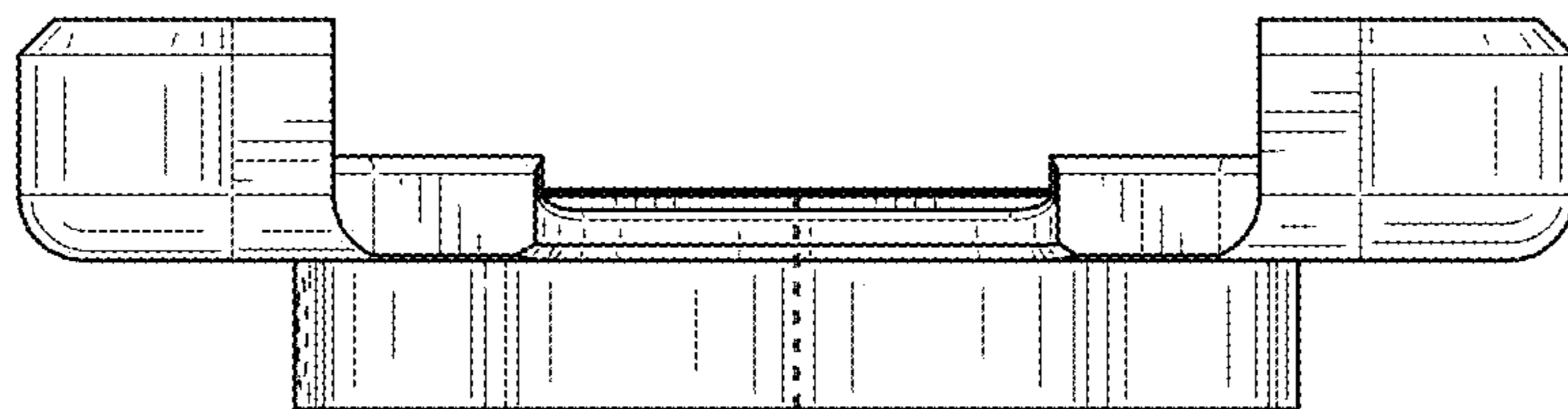


FIG. 8